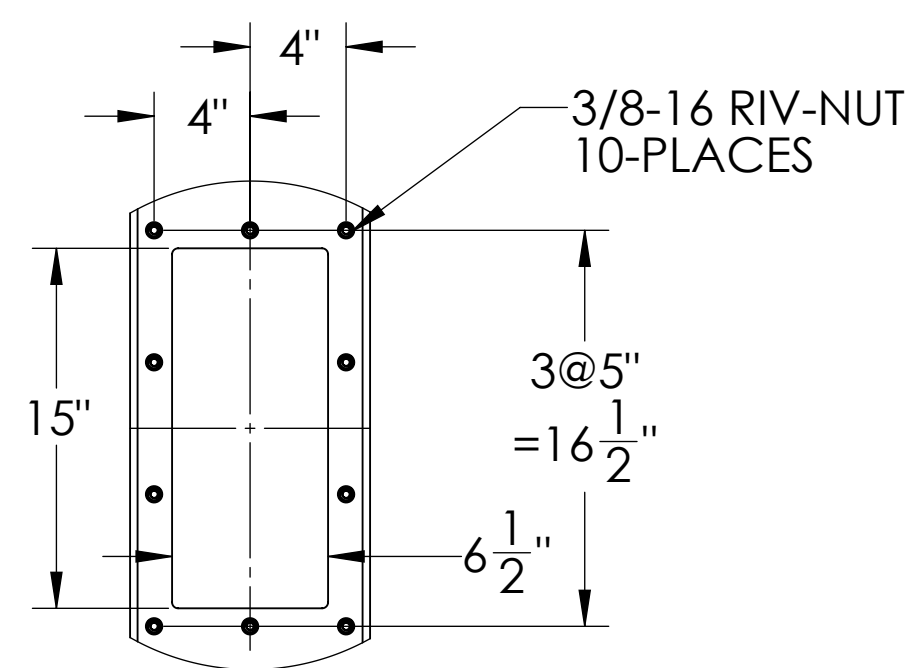



FOOT PRINT  
SECTION A-A



DISCHARGE FLANGE  
DETAIL B  
SCALE 1 : 8

|  |   |   |                   |
|--|---|---|-------------------|
| THIS DRAWING IS A CONFIDENTIAL DISCLOSURE AND IS LOANED TO RECALL AT ANY TIME WITH THE UNDERSTANDING THAT IT WILL NOT BE USED IN ANY WAY DETRIMENTAL TO THE INTERESTS OF IMPERIAL SYSTEMS. |   |   |                   |
| DESIGN DATA:   | HOOD VOLUME: 1025 CU.FT.<br>AIR FLOW: 850 CFM | DRAWN BY<br>TEB   | DATE<br>11/13/20  |
| PAINT COLOR: IMPERIAL FLAT BLACK   |   | WEIGHT (lbs)  |                   |
| FINISH: ALL SHARP EDGES TO BE ROUNDED TO A SMOOTH RADIUS.<br>ALL BURRS, WELD SPATTER AND ALL OTHER SHARP PROJECTION TO BE GROUND SMOOTH.   |   |  7320 W. MARKET ST.<br>MERCER, PA 16137<br>T: 724-662-2801<br>F: 724-662-2803<br>www.isystemsweb.com |                   |
| UNLESS OTHERWISE SPECIFIED:<br>1. NO BURRS OR SHARP EDGES<br>2. MACHINED SURFACES 125 Ra, DRILLED HOLES 250 Ra   |   |   |                   |
| TOLERANCES UNLESS OTHERWISE INDICATED<br>.0 ± .020 FRACTIONS: ± 1/8<br>.00 ± .010 ANGULAR: ± 1°<br>.000 ± .005   |   | AIRPORT<br>10FT X 9FT X 10FT  |                   |
| SCALE 1:24   | DO NOT SCALE DRAWING                          | SHEET 1 OF 1  | DRW. NO. AP100910 |

\*OPTIONAL CRANE SLOTS, CURTAIN STRIPS & LIGHT FIXTURE AVAILABLE.