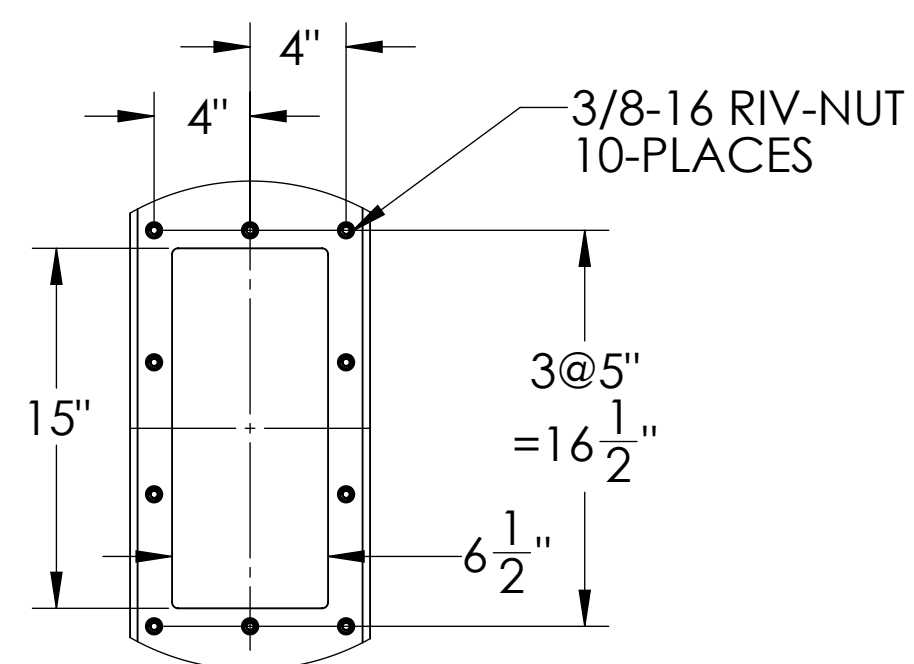



FOOT PRINT
SECTION A-A



DISCHARGE FLANGE
DETAIL B
SCALE 1 : 8

Ø 7/8" THRU.
8-PLACES

THIS DRAWING IS A CONFIDENTIAL DISCLOSURE AND IS LOANED TO RECALL AT ANY TIME WITH THE UNDERSTANDING THAT IT WILL NOT BE USED IN ANY WAY DETRIMENTAL TO THE INTERESTS OF IMPERIAL SYSTEMS.

DESIGN DATA:	HOOD VOLUME: 850 CU.FT. AIR FLOW: 850 CFM	DRAWN BY	TEB	DATE	11/13/20	WEIGHT (lbs)	
PAINT COLOR:		IMPERIAL FLAT BLACK				7320 W. MARKET ST. MERCER, PA 16137 T: 724-662-2801 F: 724-662-2803 www.isystemsweb.com	
FINISH:		ALL SHARP EDGES TO BE ROUNDED TO A SMOOTH RADIUS. ALL BURRS, WELD SPATTER AND ALL OTHER SHARP PROJECTION TO BE GROUND SMOOTH.				AIRPORT 10FT X 9FT X 8FT	
UNLESS OTHERWISE SPECIFIED:		1. NO BURRS OR SHARP EDGES		TOLERANCES UNLESS OTHERWISE INDICATED		SCALE 1:24	
2. MACHINED SURFACES 125 Ra, DRILLED HOLES 250 Ra				.0 ± .020 FRACTIONS: ± 1/8 .00 ± .010 ANGULAR: ± 1° .000 ± .005		DO NOT SCALE DRAWING	
		SHEET 1 OF 1		DRW. NO.		AP100908	

*OPTIONAL CRANE SLOTS, CURTAIN STRIPS & LIGHT FIXTURE AVAILABLE.