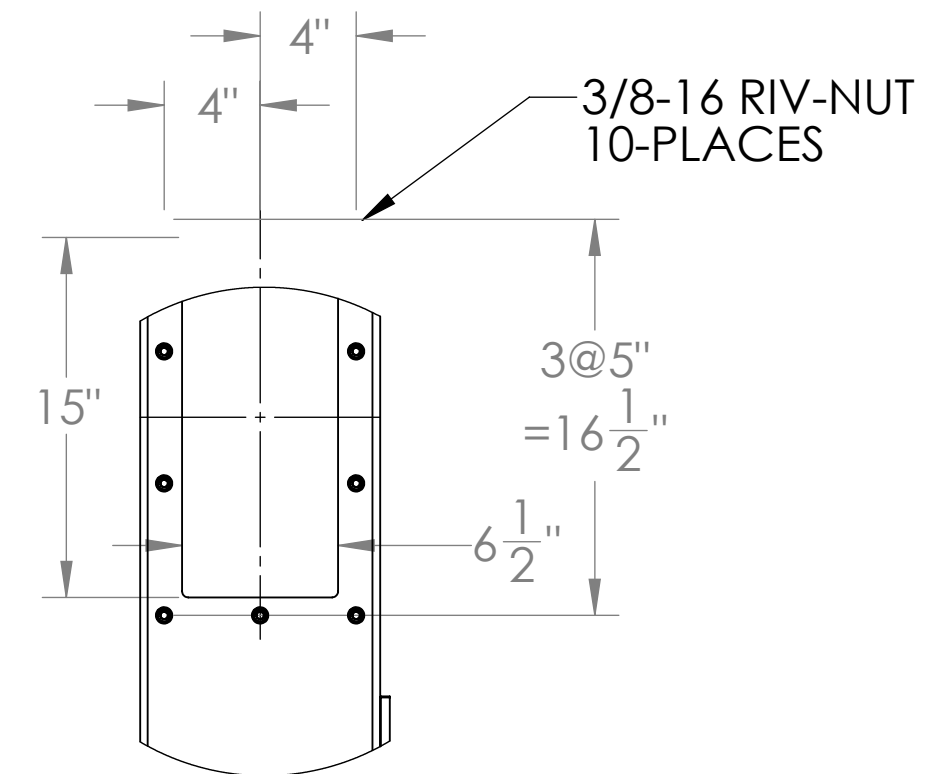


FOOT PRINT  
SECTION A-A



DISCHARGE FLANGE  
DETAIL B  
SCALE 1 : 8

THIS DRAWING IS A CONFIDENTIAL DISCLOSURE AND IS LOANED TO RECALL AT ANY TIME WITH THE UNDERSTANDING THAT IT WILL NOT BE USED IN ANY WAY DETRIMENTAL TO THE INTERESTS OF IMPERIAL SYSTEMS.

DESIGN DATA: HOOD VOLUME: 950 CU.FT.  
AIR FLOW: 850 CFM

DRAWN BY: NJL  
DATE: 10/26/20  
WEIGHT (lbs)

PAINT COLOR: IMPERIAL FLAT BLACK

7320 W. MARKET ST.  
MERCER, PA 16137  
T: 724-662-2801  
F: 724-662-2803  
www.isystemsweb.com

FINISH: ALL SHARP EDGES TO BE ROUNDED TO A SMOOTH RADIUS.  
ALL BURRS, WELD SPATTER AND ALL OTHER SHARP PROJECTION TO BE GROUND SMOOTH.



UNLESS OTHERWISE SPECIFIED:  
1. NO BURRS OR SHARP EDGES  
2. MACHINED SURFACES 125 Ra, DRILLED HOLES 250 Ra

TOLERANCES UNLESS OTHERWISE INDICATED  
.0 ± .020 FRACTIONS: ± 1/8  
.00 ± .010 ANGULAR: ± 1°  
.000 ± .005

AIRPORT  
9FT X 10FT X 9FT

SCALE 1:24 DO NOT SCALE DRAWING

SHEET 1 OF 1 DRW. NO. AP091009

\*OPTIONAL CRANE SLOTS, CURTAIN STRIPS & LIGHT FIXTURE AVAILABLE.