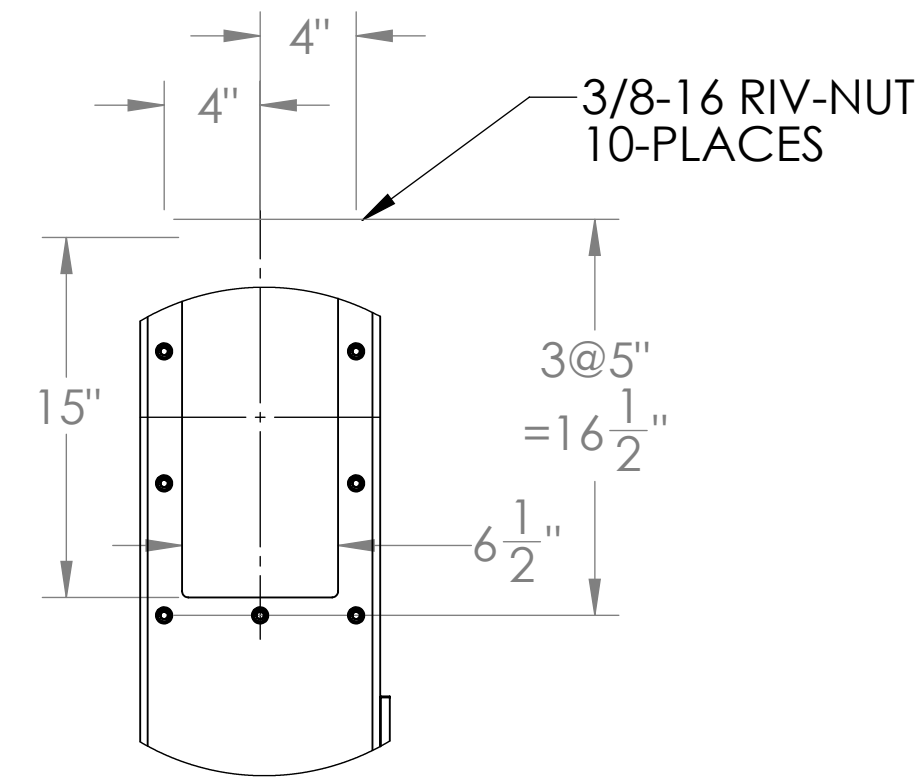


FOOT PRINT
SECTION A-A



DISCHARGE FLANGE
DETAIL B
SCALE 1 : 8

THIS DRAWING IS A CONFIDENTIAL DISCLOSURE AND IS LOANED TO RECALL AT ANY TIME WITH THE UNDERSTANDING THAT IT WILL NOT BE USED IN ANY WAY DETRIMENTAL TO THE INTERESTS OF IMPERIAL SYSTEMS.

| | | | | | | | |
|---------------------------------------|--|--|-----|-------|----------|--------------|----------|
| DESIGN DATA: | HOOD VOLUME: 725 CU.FT. AIR FLOW: 850 CFM | DRAWN BY: | NJL | DATE: | 10/26/20 | WEIGHT (lbs) | |
| PAINT COLOR: | | IMPERIAL FLAT BLACK | | | | | |
| FINISH: | | ALL SHARP EDGES TO BE ROUNDED TO A SMOOTH RADIUS. ALL BURRS, WELD SPATTER AND ALL OTHER SHARP PROJECTION TO BE GROUND SMOOTH. | | | | | |
| UNLESS OTHERWISE SPECIFIED: | | 1. NO BURRS OR SHARP EDGES 2. MACHINED SURFACES 125 Ra, DRILLED HOLES 250 Ra | | | | | |
| TOLERANCES UNLESS OTHERWISE INDICATED | | .0 ± .020 FRACTIONS: ± 1/8 .00 ± .010 ANGULAR: ± 1° .000 ± .005 | | | | | |
| SCALE | 1:24 | DO NOT SCALE DRAWING | | SHEET | 1 OF 1 | DRW. NO. | AP090710 |



7320 W. MARKET ST.
MERCER, PA 16137
T: 724-662-2801
F: 724-662-2803
www.isystemsweb.com

AIRPORT
9FT X 7FT X 10FT

*OPTIONAL CRANE SLOTS, CURTAIN STRIPS & LIGHT FIXTURE AVAILABLE.