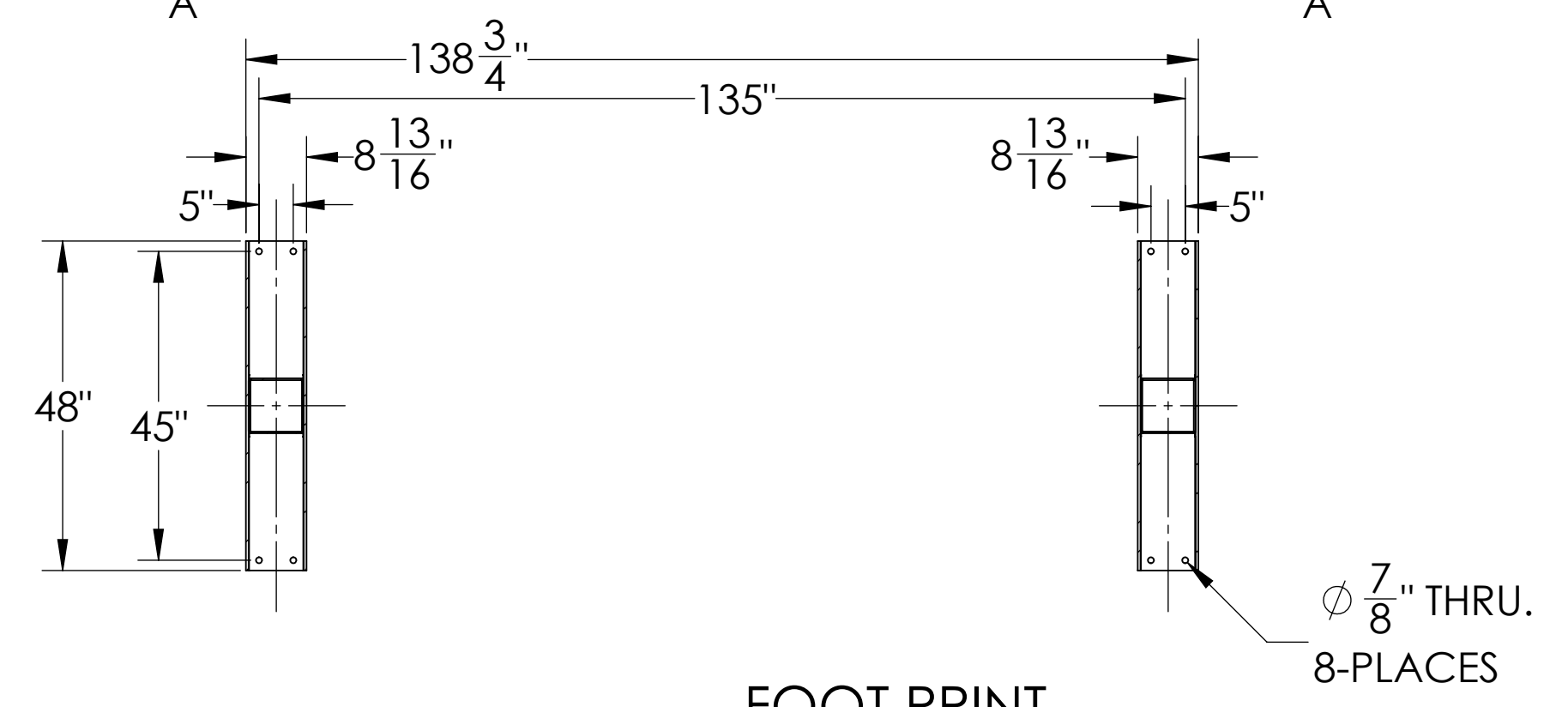
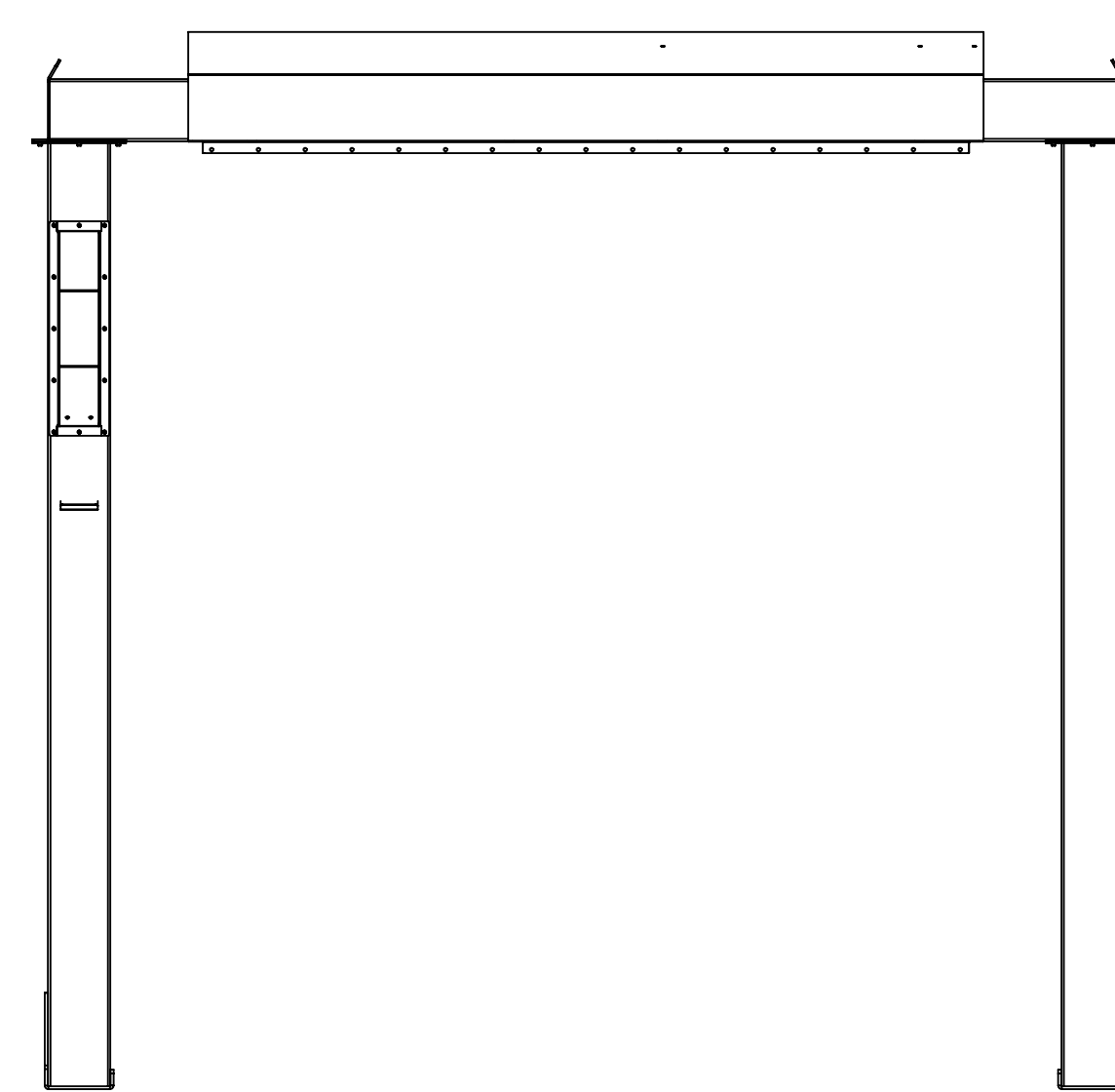
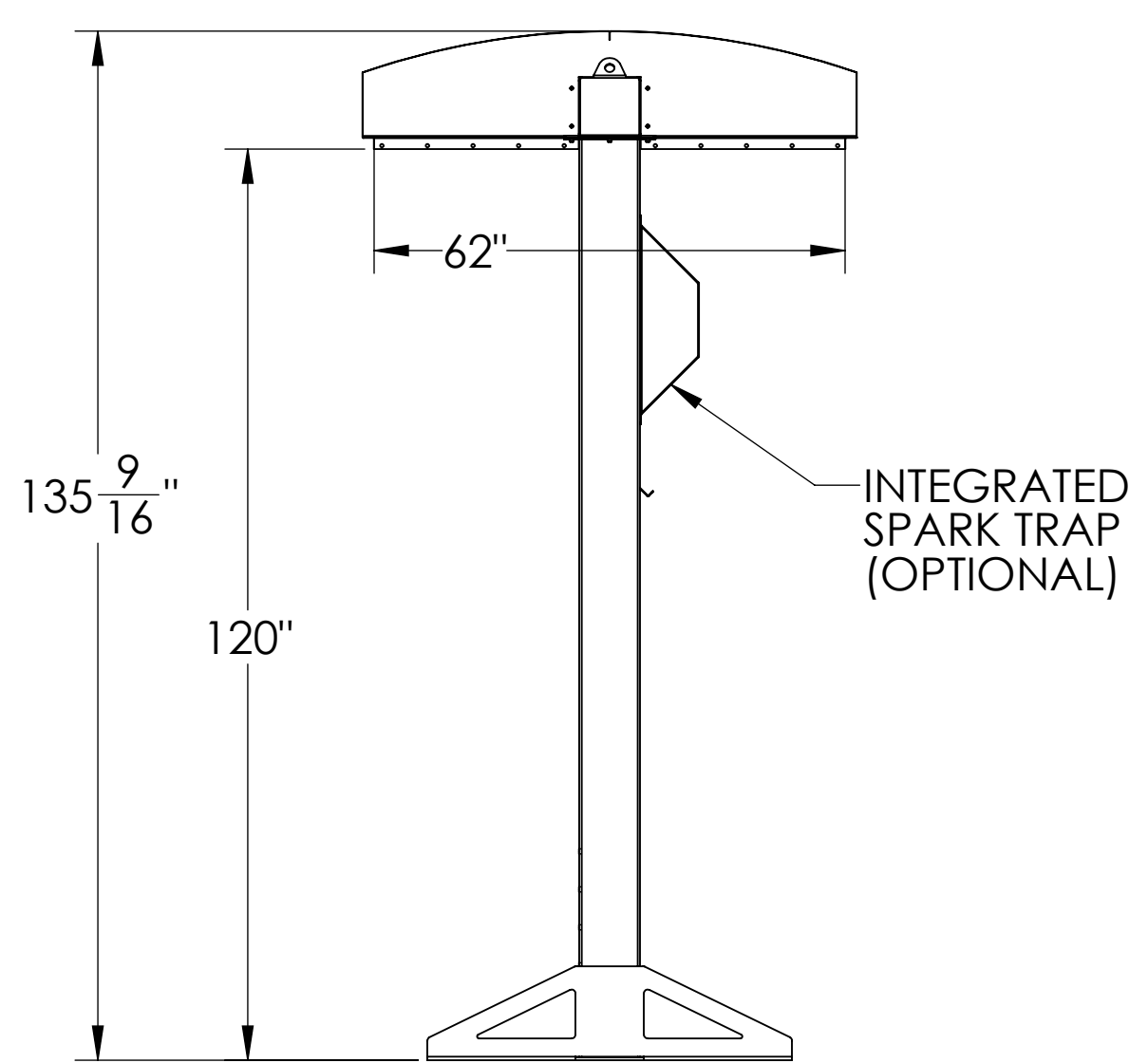
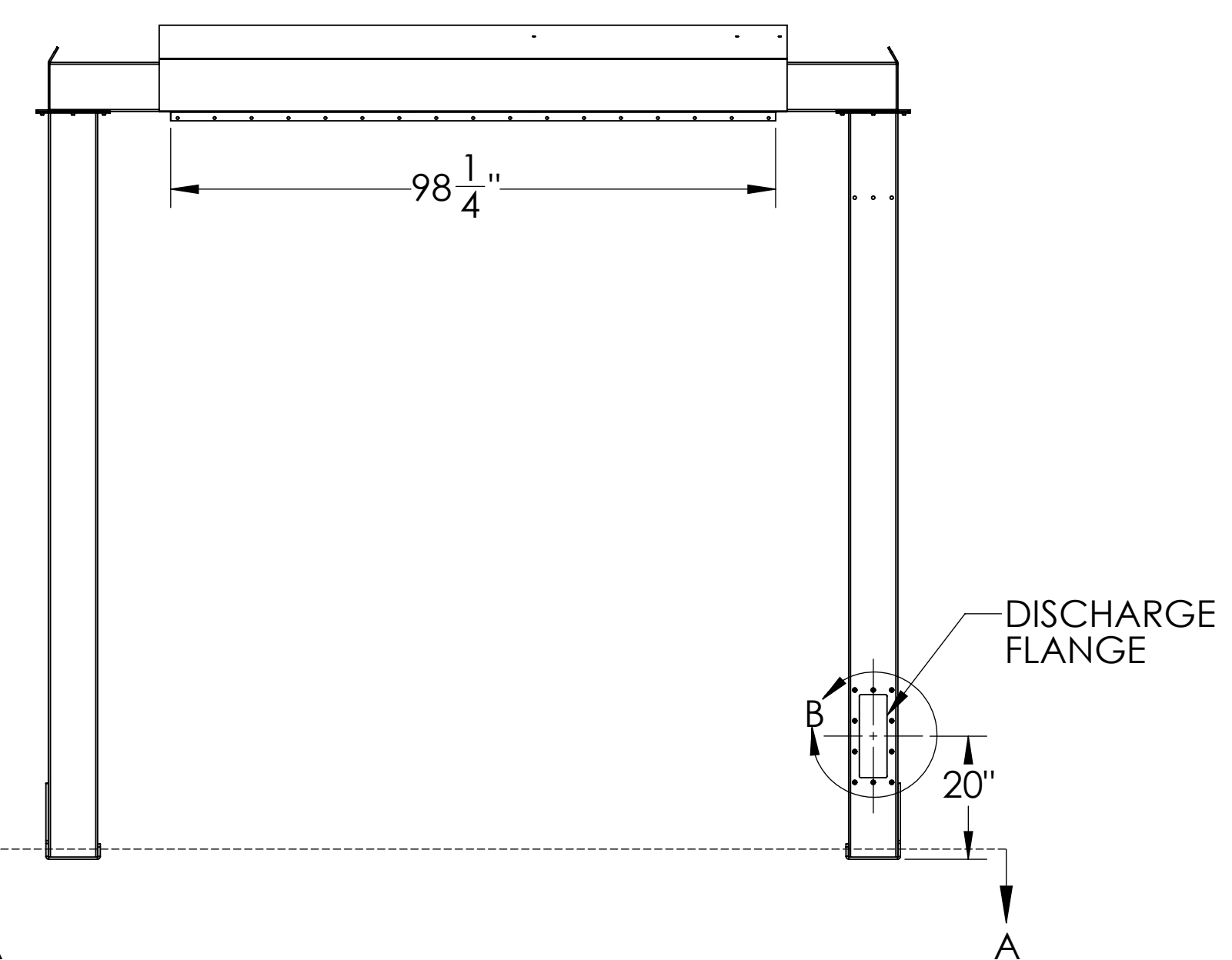
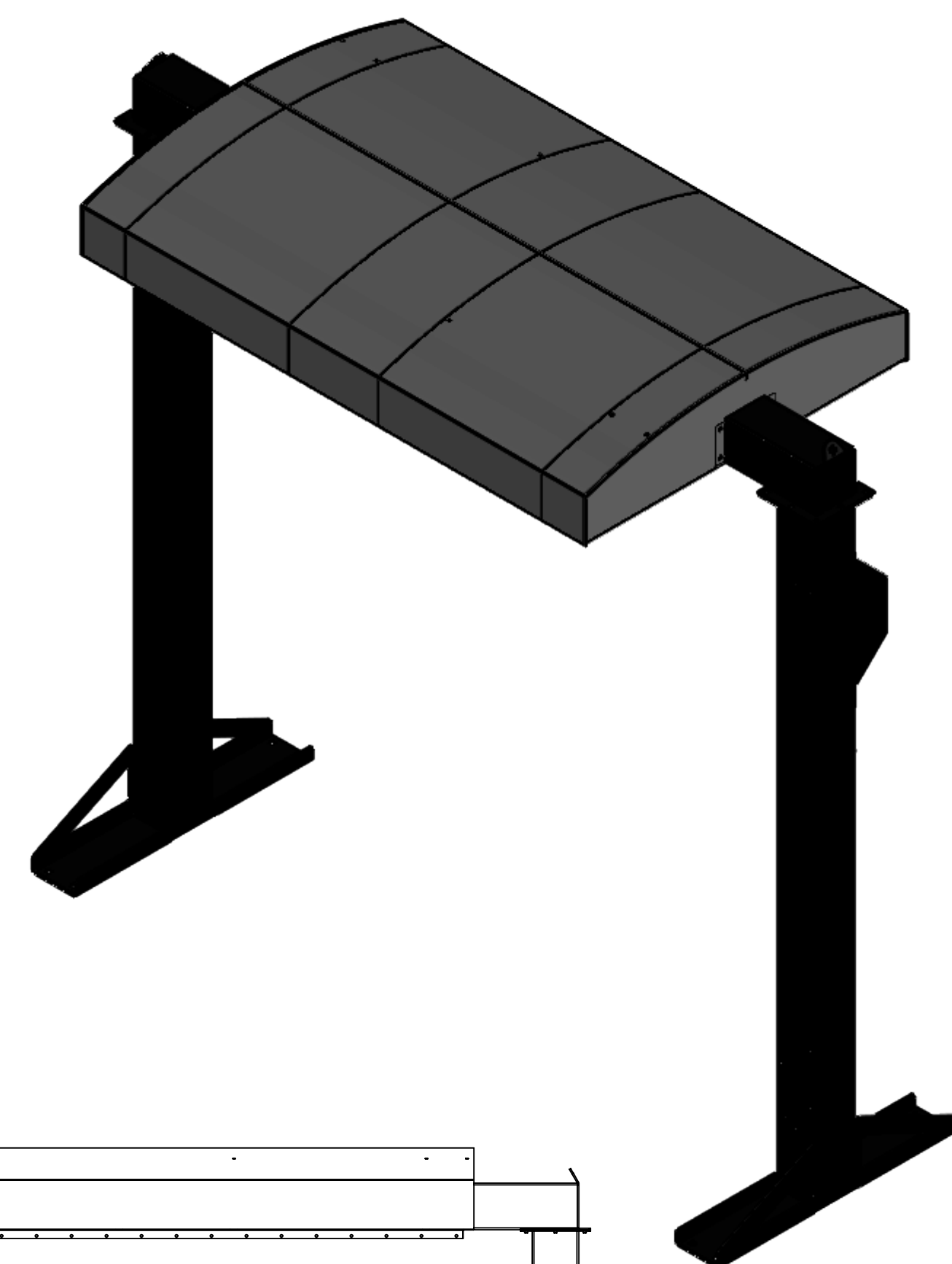
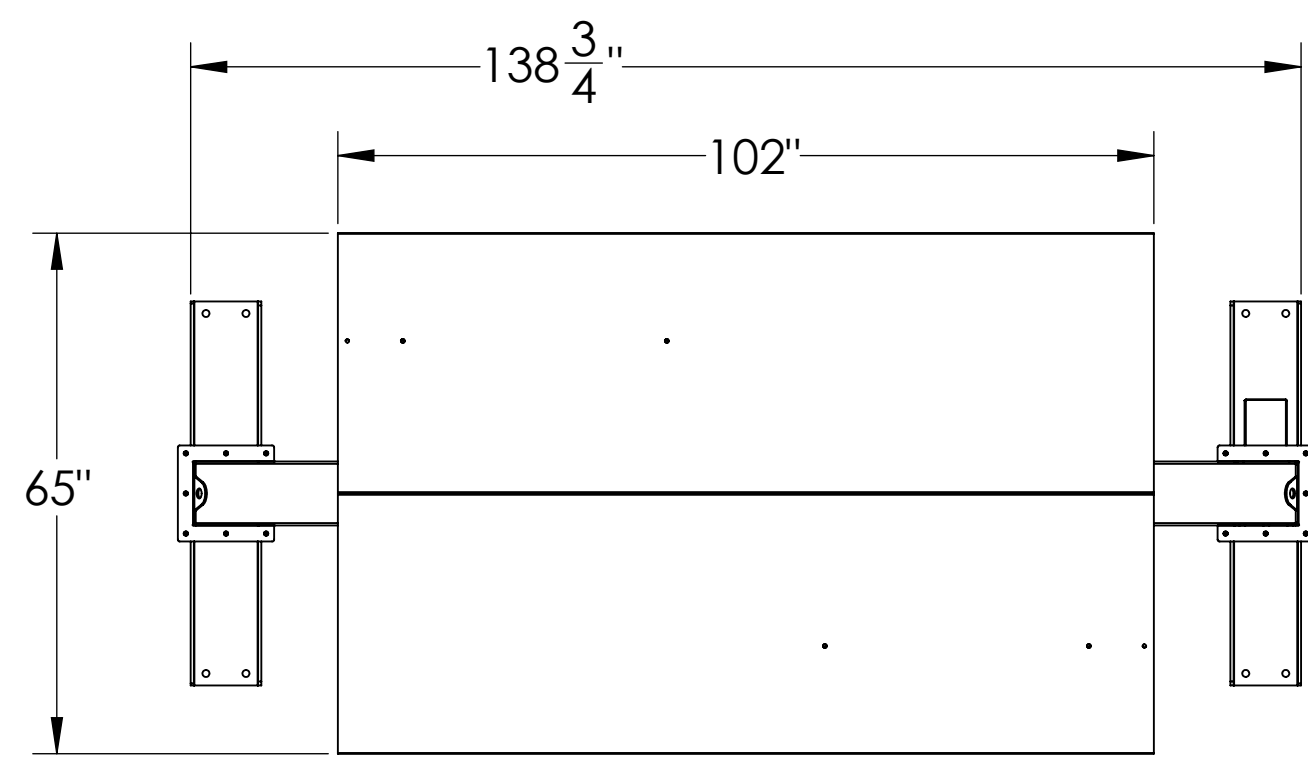
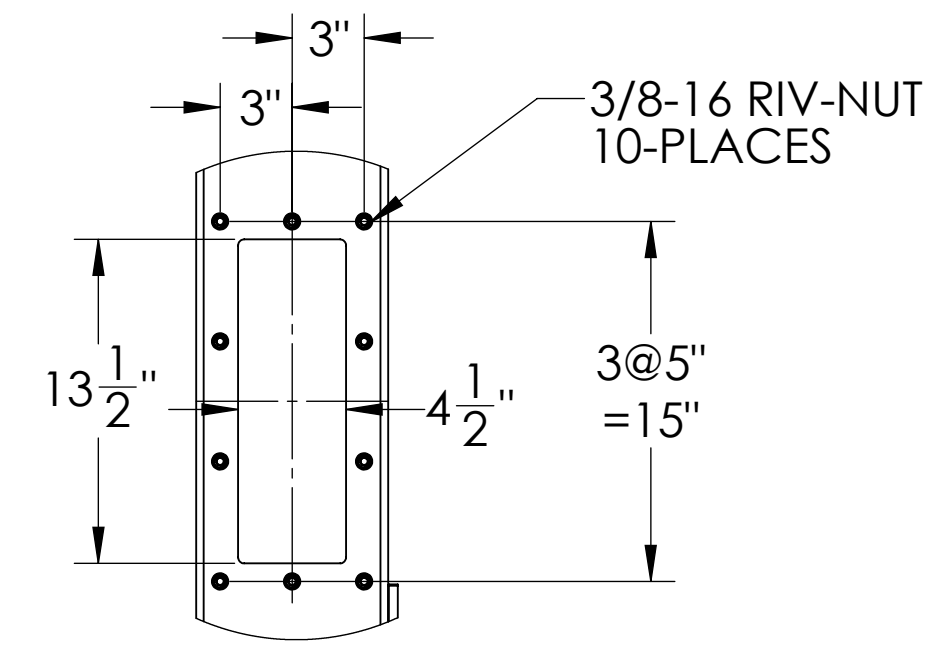



8 7 6 5 4 3 2 1



FOOT PRINT
SECTION A-A



DISCHARGE FLANGE
DETAIL B
SCALE 1 : 8

| | | | |
|--|--|---|-------------------|
| THIS DRAWING IS A CONFIDENTIAL DISCLOSURE AND IS LOANED TO RECALL AT ANY TIME WITH THE UNDERSTANDING THAT IT WILL NOT BE USED IN ANY WAY DETRIMENTAL TO THE INTERESTS OF IMPERIAL SYSTEMS. | | | |
| DESIGN DATA: | HOOD VOLUME: 475 CU.FT. AIR FLOW: 850 CFM | DRAWN BY DHE | DATE 10/26/20 |
| PAINT COLOR: IMPERIAL FLAT BLACK | | WEIGHT (lbs) | |
| FINISH: ALL SHARP EDGES TO BE ROUNDED TO A SMOOTH RADIUS. ALL BURRS, WELD SPATTER AND ALL OTHER SHARP PROJECTION TO BE GROUND SMOOTH. | |  7320 W. MARKET ST. MERCER, PA 16137 T: 724-662-2801 F: 724-662-2803 www.isystemsweb.com | |
| UNLESS OTHERWISE SPECIFIED: 1. NO BURRS OR SHARP EDGES 2. MACHINED SURFACES 125 Ra, DRILLED HOLES 250 Ra | | AIRPORT 8FT X 5FT X 10FT | |
| TOLERANCES UNLESS OTHERWISE INDICATED .0 ± .020 FRACTIONS: ± 1/8 .00 ± .010 ANGULAR: ± 1° .000 ± .005 | | SCALE 1:24 | |
| DO NOT SCALE DRAWING | | SHEET 1 OF 1 | DRW. NO. AP080510 |

*OPTIONAL CRANE SLOTS, CURTAIN STRIPS & LIGHT FIXTURE AVAILABLE.

8 7 6 5 4 3 2 1