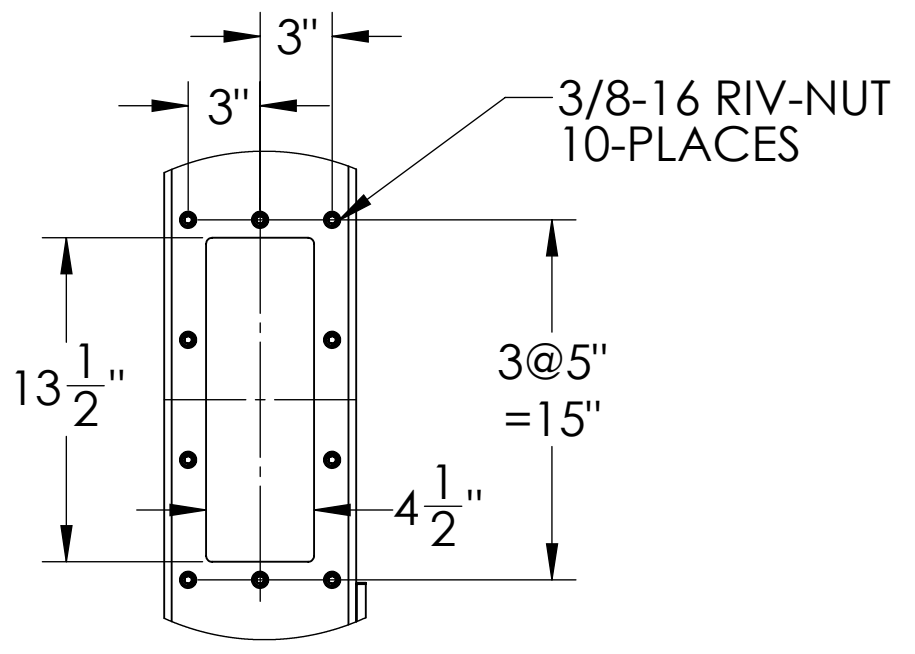
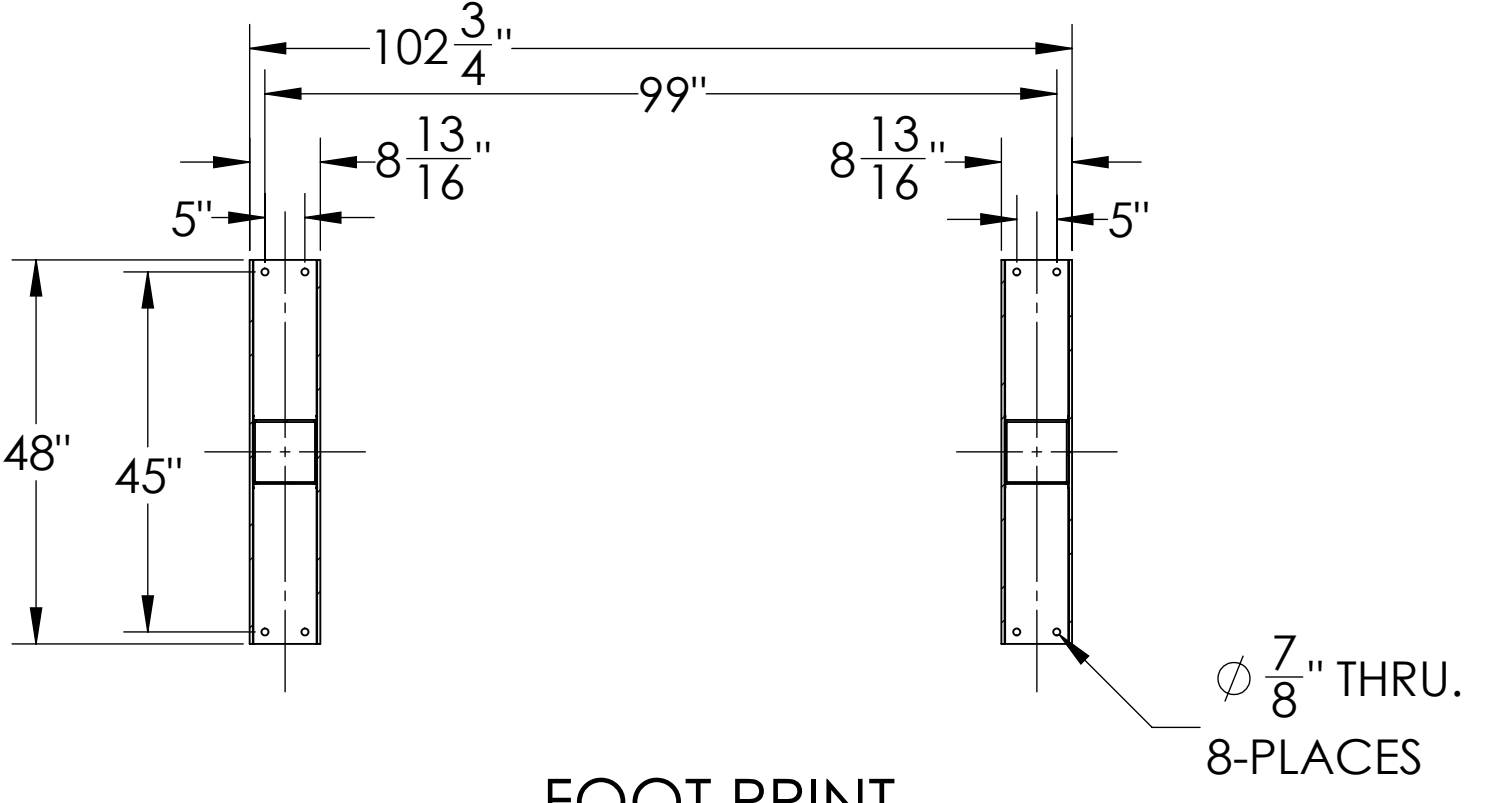
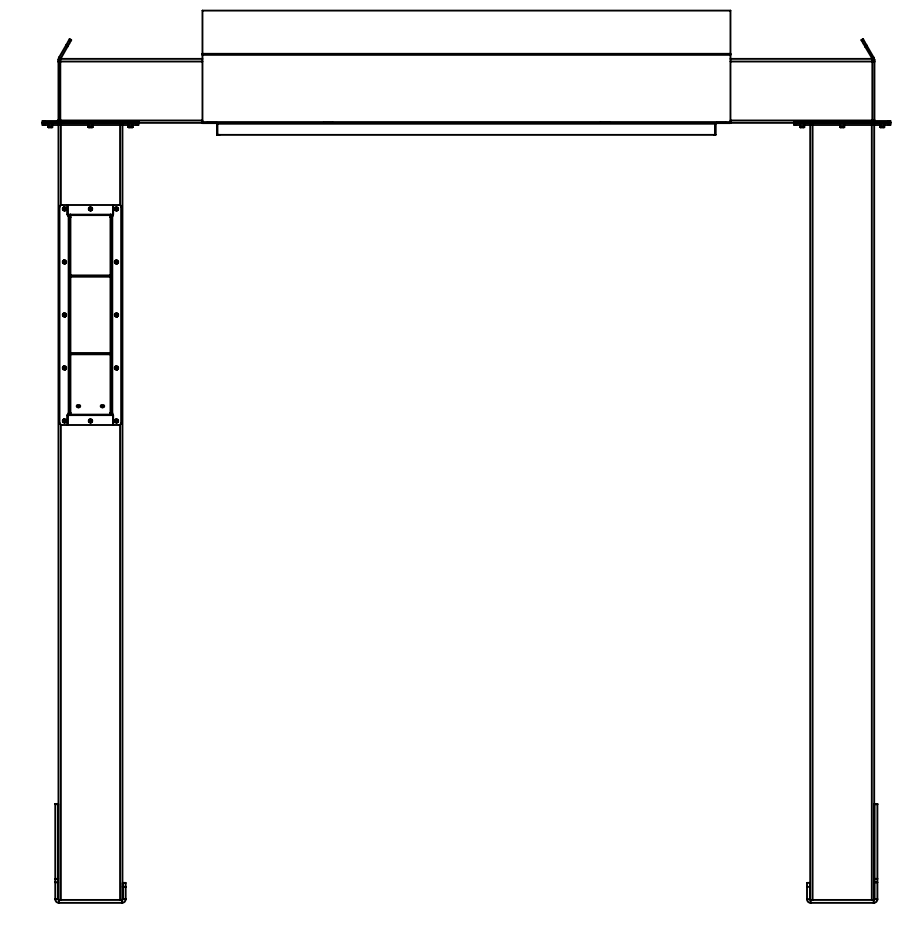
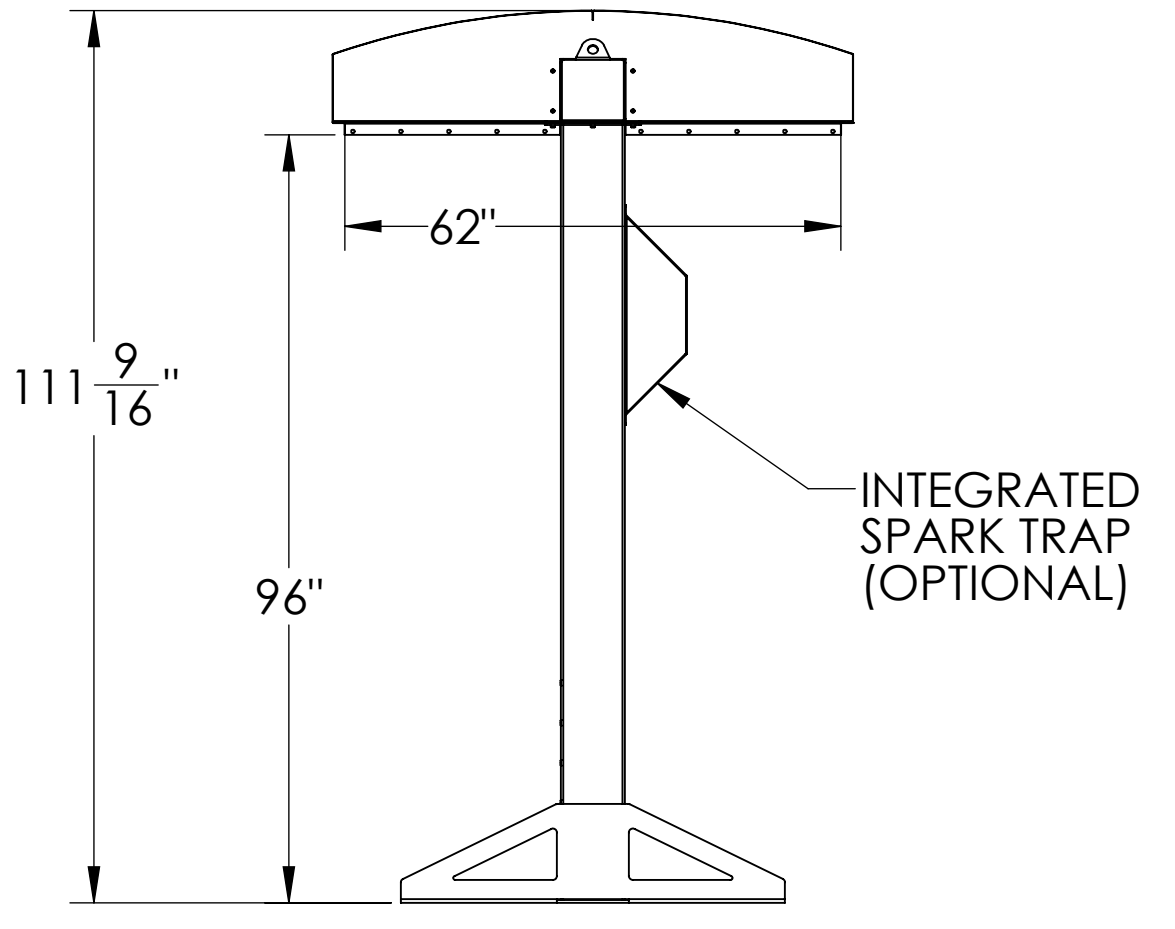
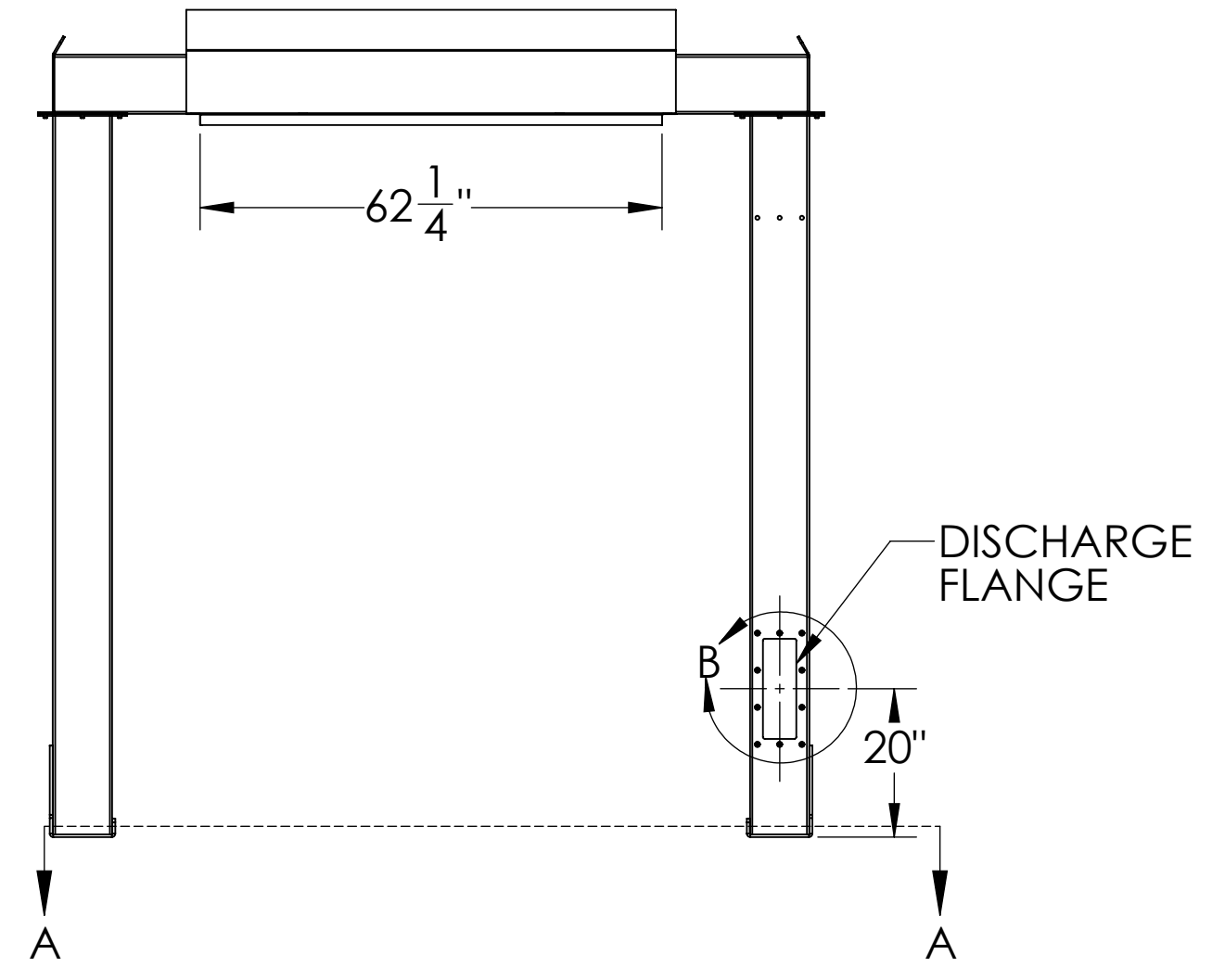
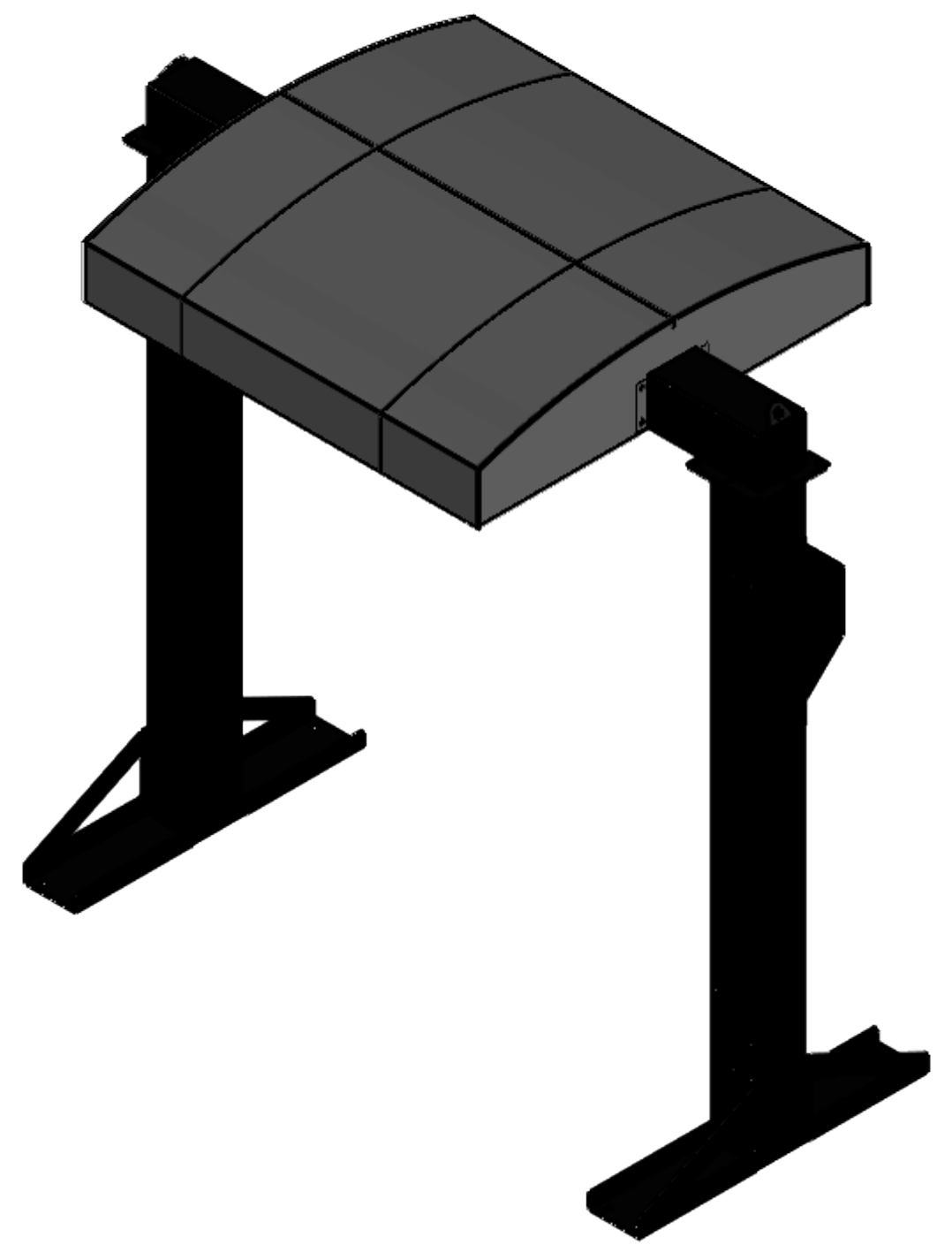
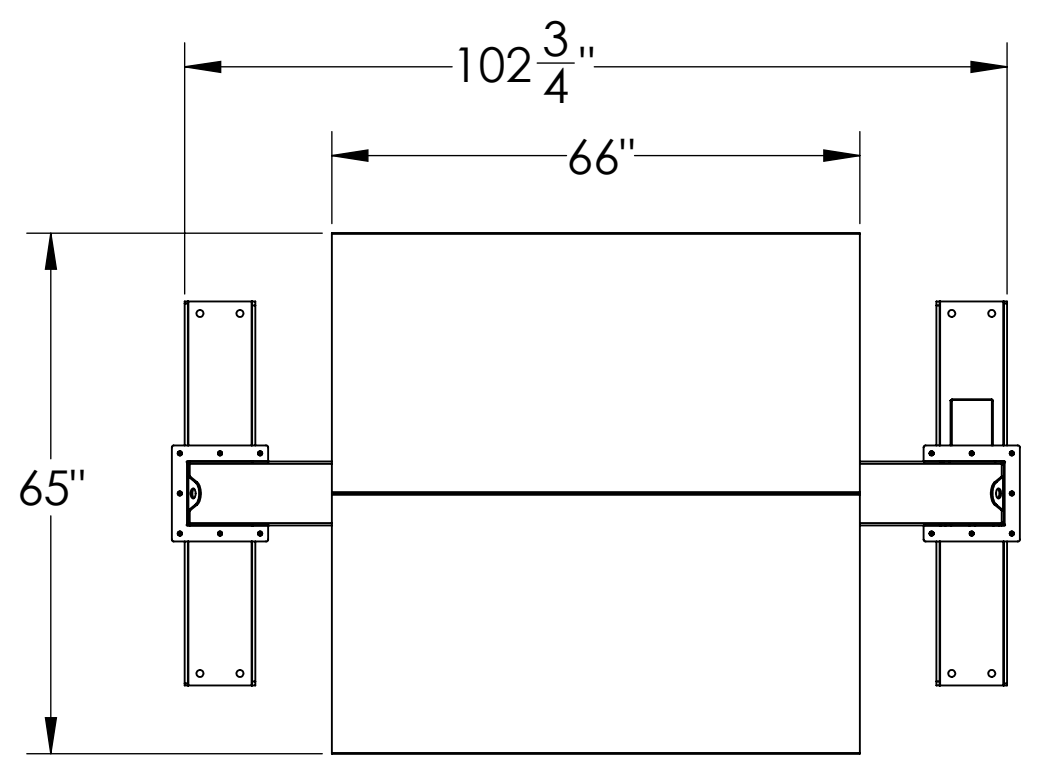



8 7 6 5 4 3 2 1



FOOT PRINT SECTION A-A

DISCHARGE FLANGE DETAIL B SCALE 1 : 8

THIS DRAWING IS A CONFIDENTIAL DISCLOSURE AND IS LOANED TO RECALL AT ANY TIME WITH THE UNDERSTANDING THAT IT WILL NOT BE USED IN ANY WAY DETRIMENTAL TO THE INTERESTS OF IMPERIAL SYSTEMS.

| | | | | | | | |
|--|--|---|-----|---|----------|--------------|--|
| DESIGN DATA: | HOOD VOLUME: 250 CU.FT. AIR FLOW: 850 CFM | DRAWN BY | DHE | DATE | 10/26/20 | WEIGHT (lbs) | |
| PAINT COLOR: IMPERIAL FLAT BLACK | |  | | 7320 W. MARKET ST. MERCER, PA 16137 T: 724-662-2801 F: 724-662-2803 www.isystemsweb.com | | | |
| FINISH: ALL SHARP EDGES TO BE ROUNDED TO A SMOOTH RADIUS. ALL BURRS, WELD SPATTER AND ALL OTHER SHARP PROJECTION TO BE GROUND SMOOTH. | | | | AIRPORT 5FT X 5FT X 8FT | | | |
| UNLESS OTHERWISE SPECIFIED: 1. NO BURRS OR SHARP EDGES 2. MACHINED SURFACES 125 Ra, DRILLED HOLES 250 Ra | | TOLERANCES UNLESS OTHERWISE INDICATED | | | | | |
| | | .0 ± .020 FRACTIONS: ± 1/8 | | | | | |
| | | .00 ± .010 ANGULAR: ± 1° | | | | | |
| | | .000 ± .005 | | | | | |
| SCALE | 1:24 | DO NOT SCALE DRAWING | | SHEET 1 OF 1 | DRW. NO. | AP050508 | |

*OPTIONAL CRANE SLOTS, CURTAIN STRIPS & LIGHT FIXTURE AVAILABLE.

8 7 6 5 4 3 2 1