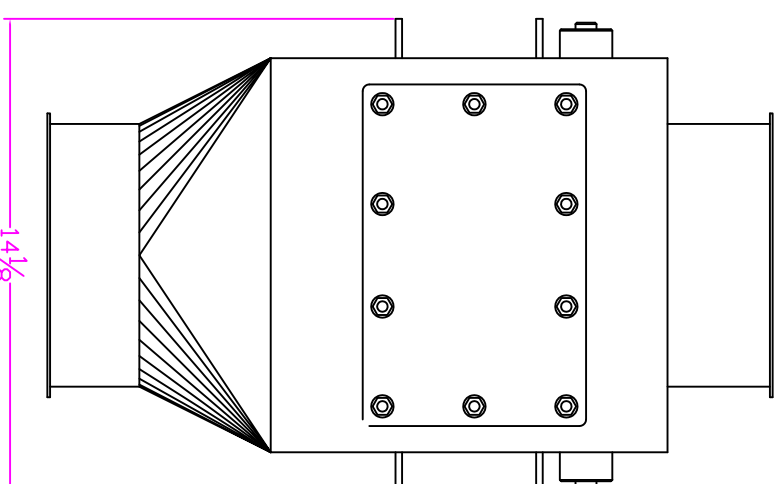
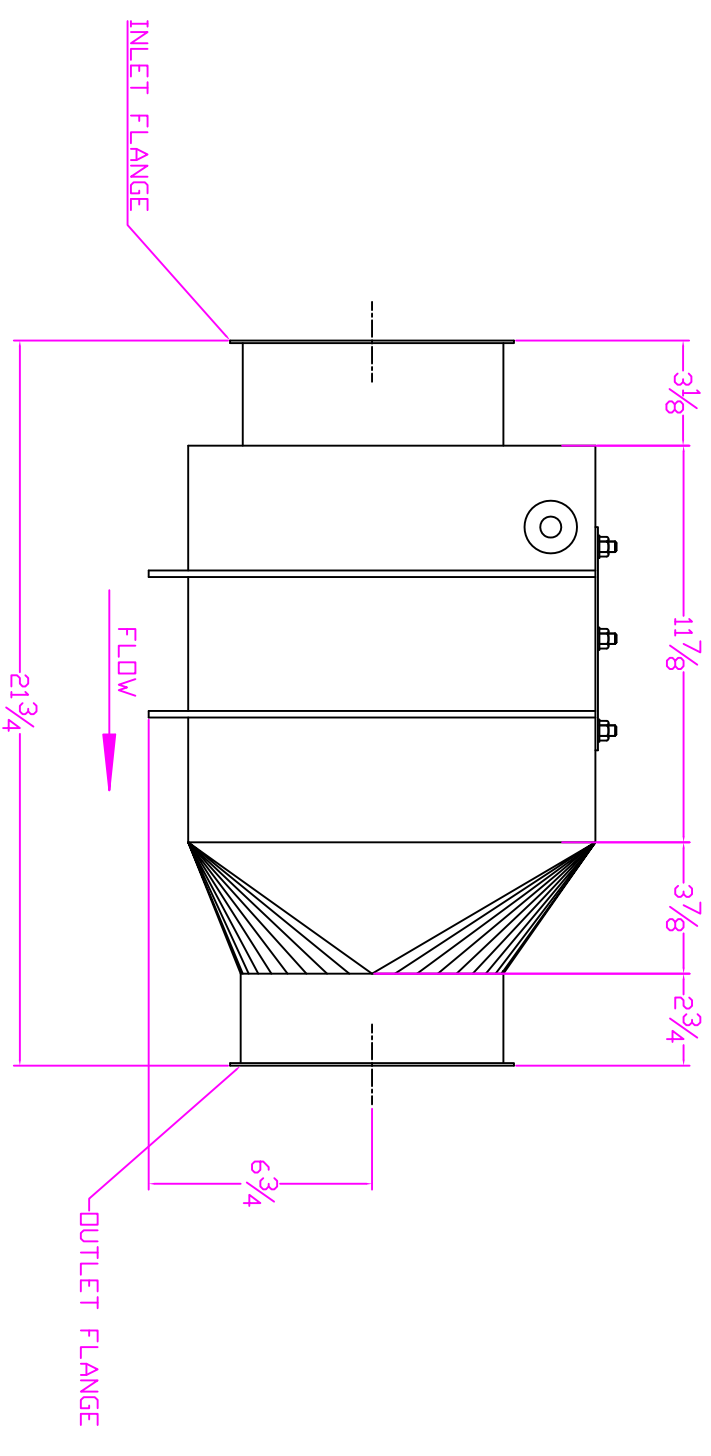
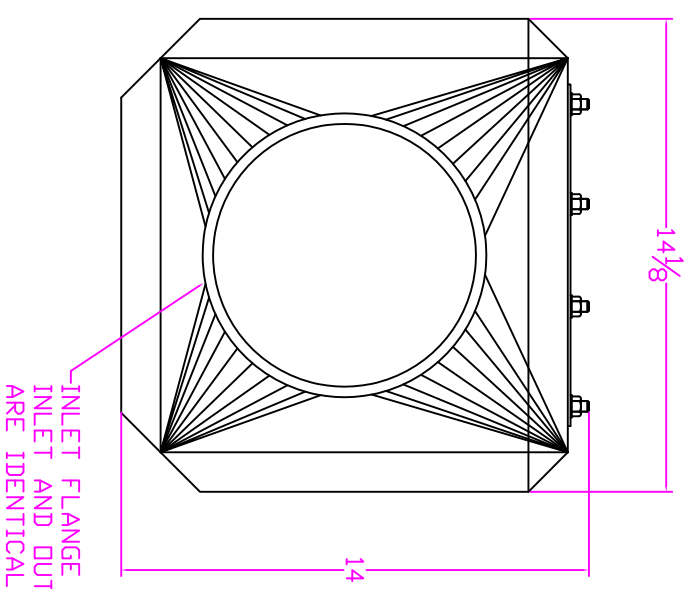


RATED FOR:

Class ST 3 Applications
 Kst MAX: 400 bar m/s
 P_{red} : 0.50 bar

Installation distance of the
 containment system that is to
 be isolated from the process:
2 Meters



APPROVAL DRAWING ONLY
 NOT FOR PRODUCTION

APPROVED: _____ DATE: _____

APPROVED AS NOTED: _____ DATE: _____
 THIS IS A TIME-SENSITIVE DOCUMENT. ENGINEERING &
 PRODUCTION CAN NOT BE SCHEDULED UNTIL A SIGNED
 APPROVAL DRAWING IS RETURNED. DELAYS IN THE APPROVAL
 PROCESS MAY AFFECT THE QUOTED DELIVERY DATE.
 THIS DRAWING SUPERSEDES ANY PREVIOUS REVISIONS.

THIS DRAWING IS A CONFIDENTIAL DISCLOSURE AND IS LOANED TO RECALL AT ANY TIME WITH THE UNDERSTANDING THAT IT WILL NOT BE USED IN ANY WAY DETRIMENTAL TO THE INTERESTS OF IMPERIAL SYSTEMS.

MATERIAL SPEC: **Carbon Steel**

PAINT COLOR: **Safety Red**

FINISH: ALL SHARP EDGES TO BE ROUNDED TO A SMOOTH RADIUS
 ALL SURFACES TO BE FINISHED BY SAND BLASTING AND ALL OTHER SHARP PROJECTION
 TO BE GRIND SMOOTH

UNLESS OTHERWISE SPECIFIED:
 1. NO BURRS OR SHARP EDGES
 2. MACHINED SURFACES 125 Ra, DRILLED HOLES 250 Ra

TOLERANCES UNLESS OTHERWISE INDICATED
 DECIMALS: ± .020 FRACTIONS: ± 1/8
 ANGULAR: ± 1°

SCALE: **1:1** DD NOT SCALE DRAWING



300 IMPERIAL DRIVE
 JACKSON CENTER, PA 16133
 T: 724-662-2801
 F: 724-662-2803
 www.systemsred.com

DRAWN BY: **SMN** DATE: **12/18/15** WEIGHT (lbs): **45**

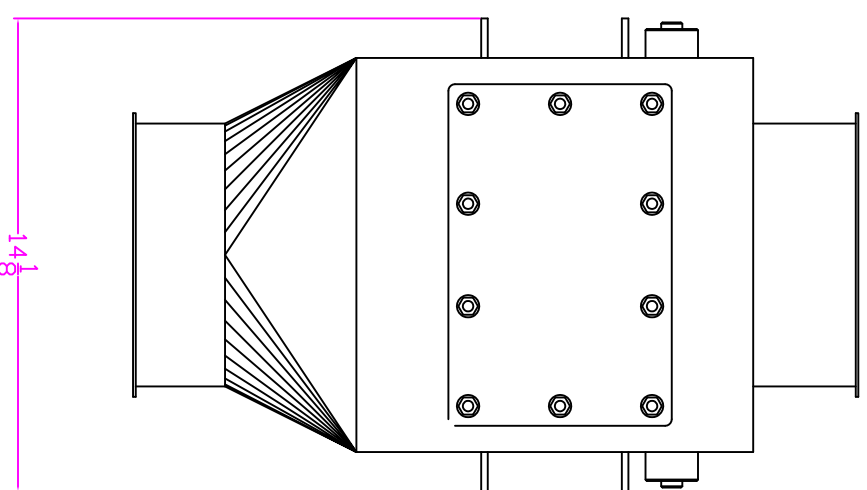
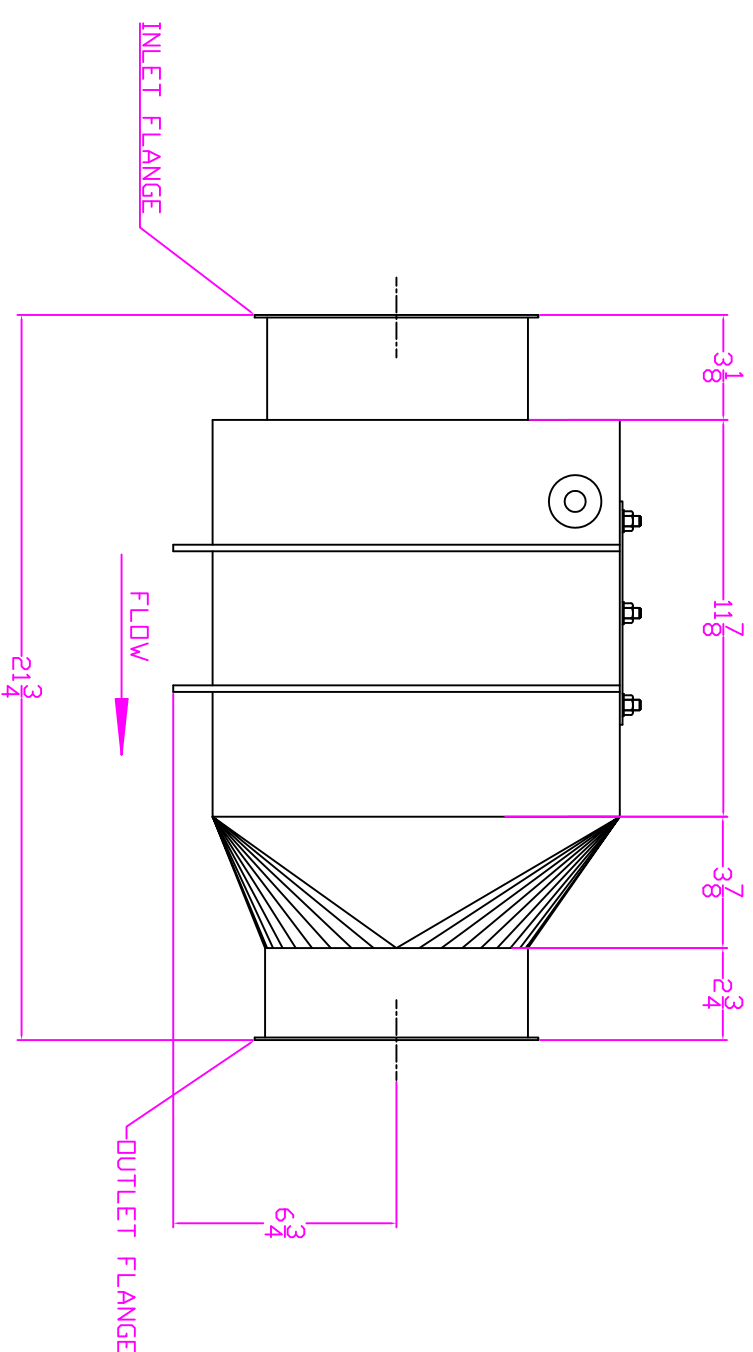
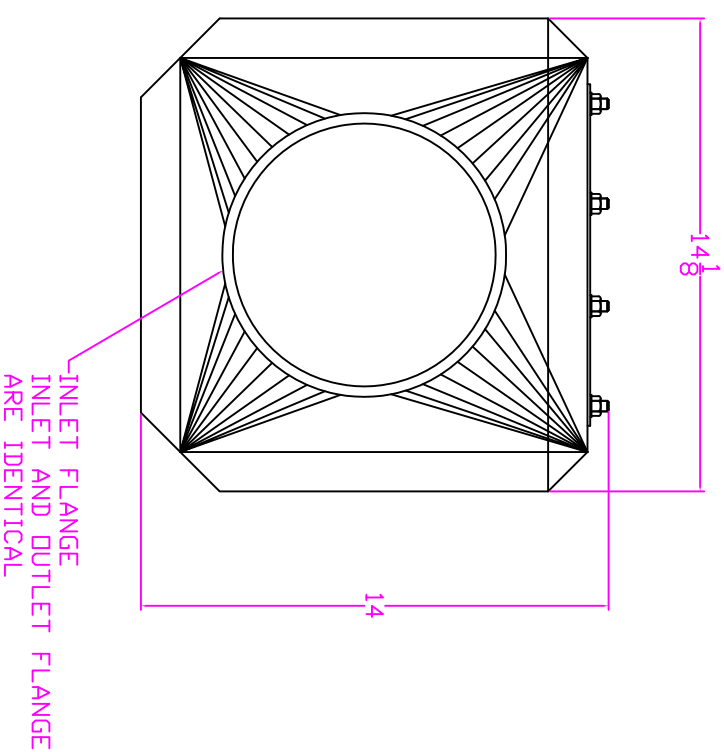
**EXPLOSION ISOLATION VALVE,
 Ø7" INLET X Ø7" OUTLET**

SHEET 1 OF 1 DRW. NO. **EIV-07-APPR**

RATED FOR:

Class ST 3 Applications
Kst MAX: 400 bar m/s
P_{red} : 0.50 bar

Installation distance of the containment system that is to be isolated from the process: **2 Meters**



APPROVAL DRAWING ONLY
NOT FOR PRODUCTION

APPROVED: _____ DATE: _____

APPROVED AS NOTED: _____ DATE: _____

THIS IS A TIME-SENSITIVE DOCUMENT. ENGINEERING & PRODUCTION CAN NOT BE SCHEDULED UNTIL A SIGNED APPROVAL DRAWING IS RETURNED. DELAYS IN THE APPROVAL PROCESS MAY AFFECT THE QUOTED DELIVERY DATE. THIS DRAWING SUPERSEDES ANY PREVIOUS REVISIONS.

THIS DRAWING IS A CONFIDENTIAL DISCLOSURE AND IS LOANED TO RECALL AT ANY TIME WITH THE UNDERSTANDING THAT IT WILL NOT BE USED IN ANY WAY DETRIMENTAL TO THE INTERESTS OF IMPERIAL SYSTEMS.

MATERIAL SPEC: **Carbon Steel**

PAINT COLOR: **Safety Red**

FINISH: ALL SHARP EDGES TO BE ROUNDED TO A SMOOTH RADIUS. ALL SHARP EDGES TO BE ROUNDED TO A SMOOTH RADIUS. ALL SHARP EDGES TO BE ROUNDED TO A SMOOTH RADIUS.

UNLESS OTHERWISE SPECIFIED:
1. NO BURRS OR SHARP EDGES
2. MACHINED SURFACES 125 Ra, DRILLED HOLES 250 Ra

TOLERANCES UNLESS OTHERWISE INDICATED:
0 ± .020 FRACTIONS: ± 1/8
.00 ± .010 ANGULAR: ± 1°
.000 ± .005

SCALE: **1:1** DD NOT SCALE DRAWING

DRAWN BY: **SMN** DATE: **12/18/15** WEIGHT (lbs): **45**



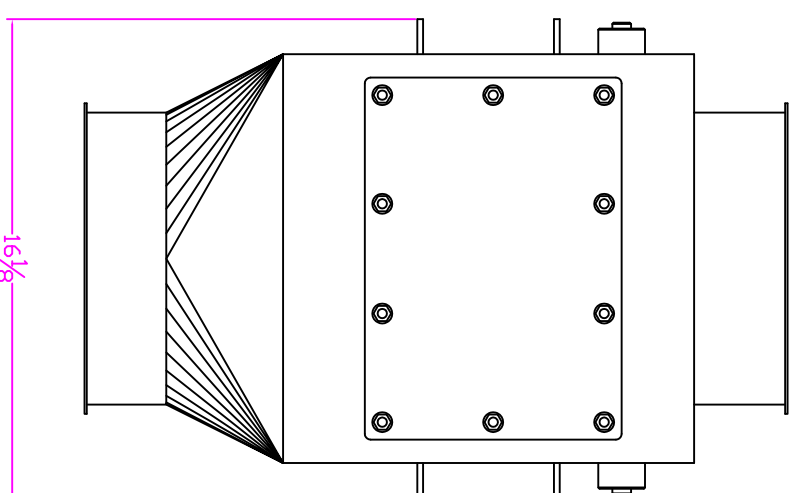
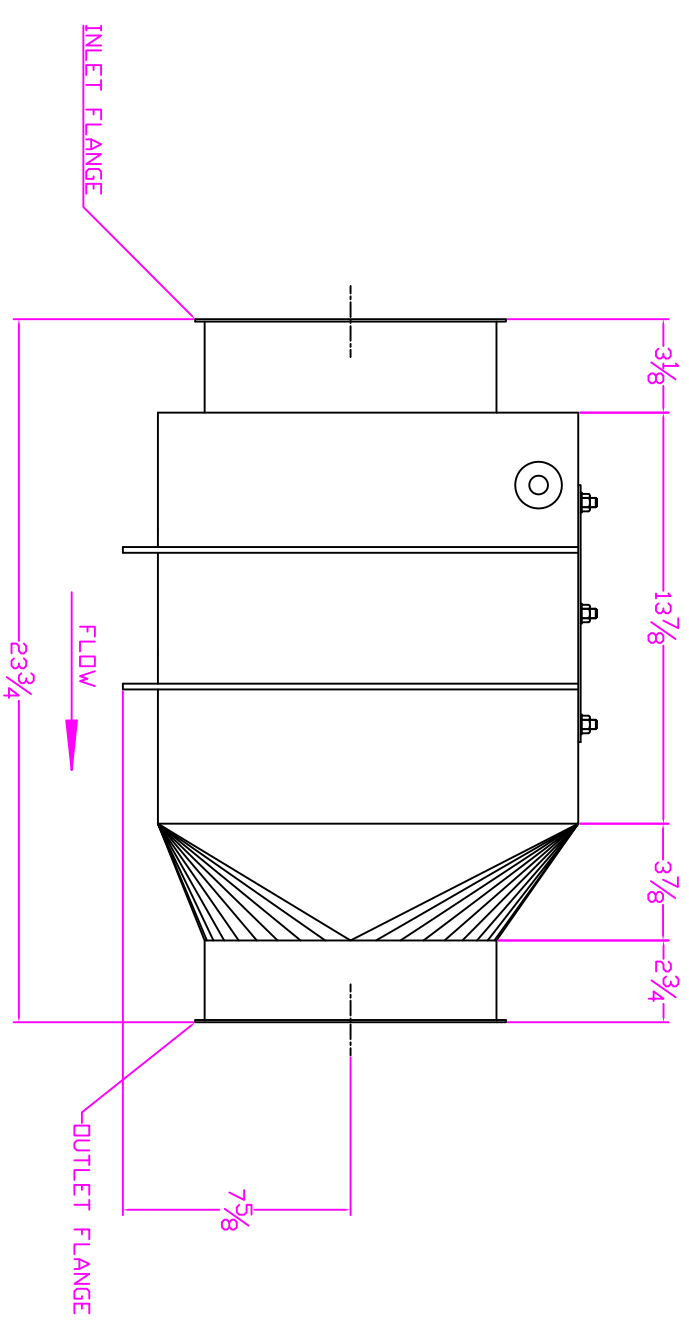
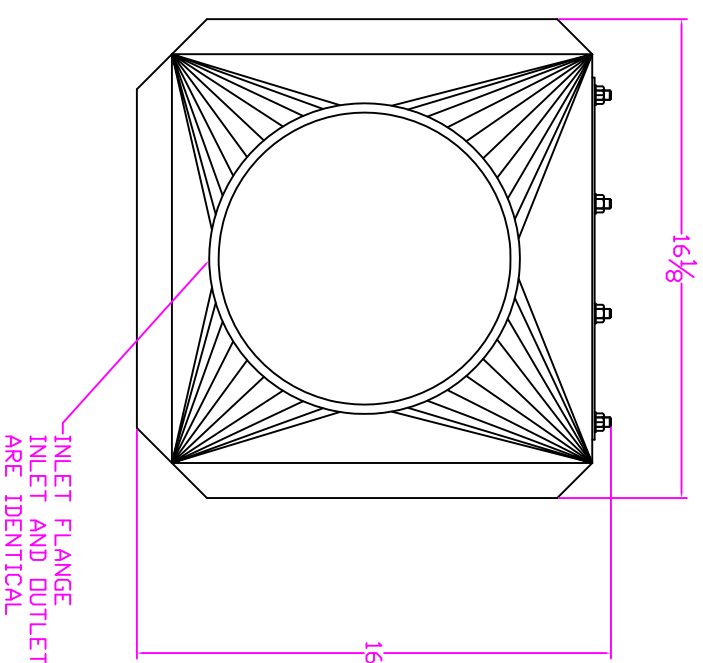
EIV-08
EXPLOSION ISOLATION VALVE,
Ø8" INLET X Ø8" OUTLET

SHEET 1 OF 1 DRW. NO. **EIV-08-APPR**

RATED FOR:

Class ST 3 Applications
Kst MAX: 400 bar m/s
P_{rad} : 0.50 bar

Installation distance of the containment system that is to be isolated from the process: **2 Meters**



**APPROVAL DRAWING ONLY
NOT FOR PRODUCTION**

APPROVED: _____ DATE: _____

APPROVED AS NOTED: _____ DATE: _____

THIS IS A TIME-SENSITIVE DOCUMENT. ENGINEERING & PRODUCTION CAN NOT BE SCHEDULED UNTIL A SIGNED APPROVAL DRAWING IS RETURNED. DELAYS IN THE APPROVAL PROCESS MAY AFFECT THE QUOTED DELIVERY DATE. THIS DRAWING SUPERSEDES ANY PREVIOUS REVISIONS.

THIS DRAWING IS A CONFIDENTIAL DISCLOSURE AND IS LOANED TO RECALL AT ANY TIME WITH THE UNDERSTANDING THAT IT WILL NOT BE USED IN ANY WAY DETRIMENTAL TO THE INTERESTS OF IMPERIAL SYSTEMS.

MATERIAL SPEC: **Carbon Steel**

PAINT COLOR: **Safety Red**

FINISH: ALL SHARP EDGES TO BE ROUNDED TO A SMOOTH RADIUS. ALL SURFACES TO BE FINISHED TO A SMOOTH TO BE GRIND SMOOTH.

UNLESS OTHERWISE SPECIFIED:
1. NO BURRS OR SHARP EDGES
2. MACHINED SURFACES 125 Ra, DRILLED HOLES 250 Ra

TOLERANCES UNLESS OTHERWISE INDICATED:
0 ± .020 FRACTIONS: ± 1/8
.000 ± .005 ANGULAR: ± 1°

SCALE: **1:1** DD NOT SCALE DRAWING

DRAWN BY: **SMN** DATE: **12/18/15** WEIGHT (lbs): **56**



300 IMPERIAL DRIVE
JACKSON CENTER PA 16133
T: 724-662-2801
F: 724-662-2803
www.systemsweb.com

**EXPLOSION ISOLATION VALVE,
Ø10" INLET X Ø10" OUTLET**

SHEET 1 OF 1 DRW. NO. **EIV-10-APPR**

4

3

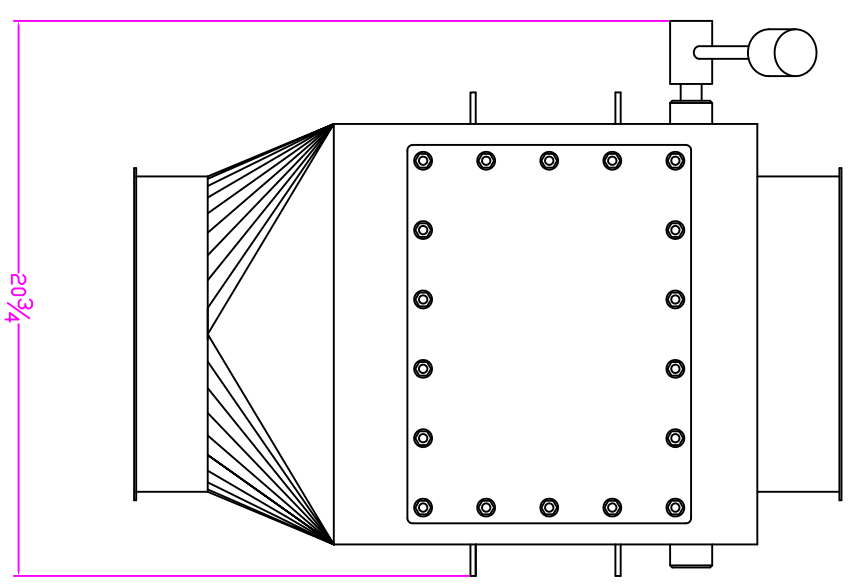
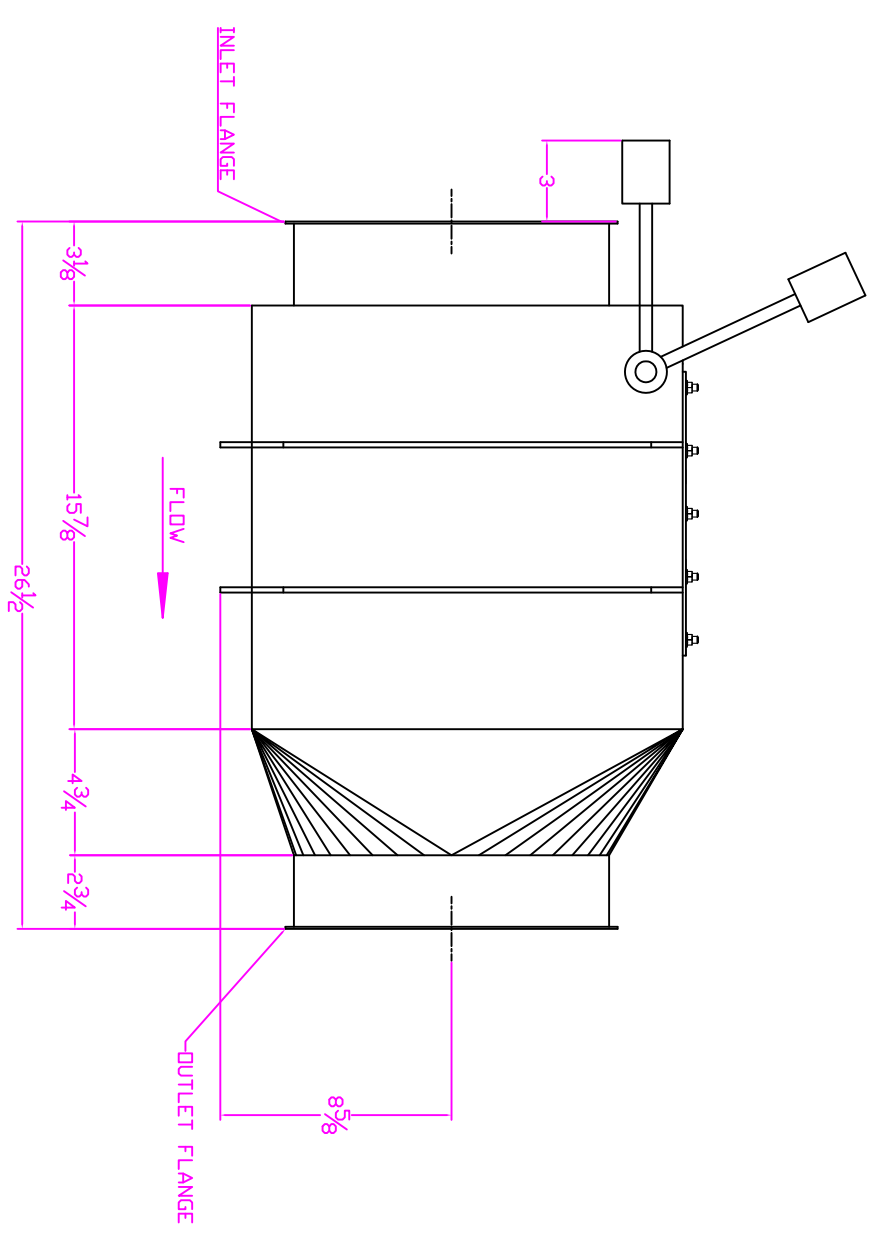
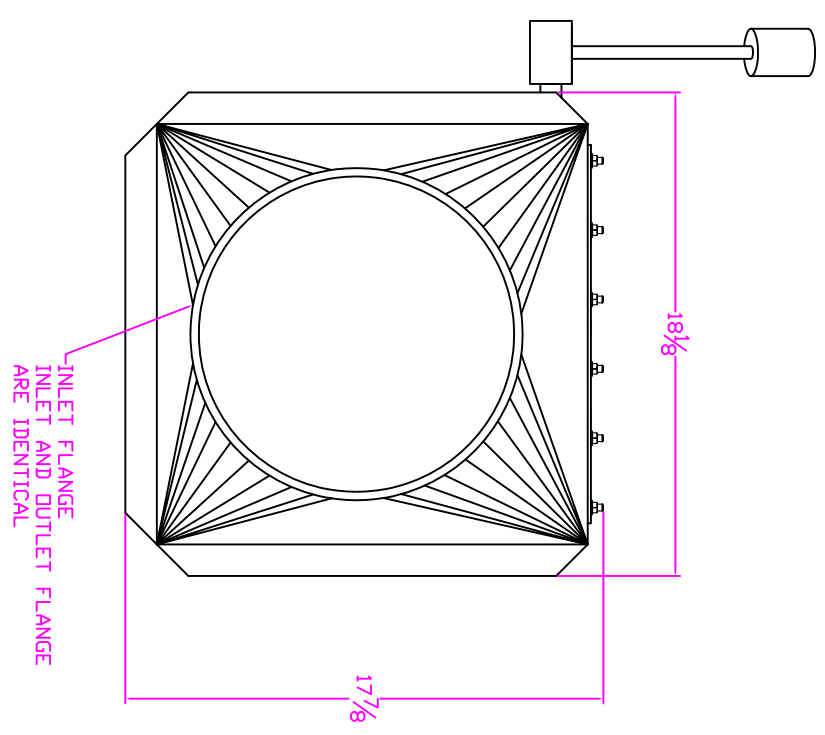
2

1

RATED FOR:

Class ST 3 Applications
Kst MAX: 400 bar m/s
P_{rad} : 0.50 bar

Installation distance of the
containment system that is to
be isolated from the process:
2 Meters



APPROVAL DRAWING ONLY
NOT FOR PRODUCTION

APPROVED: _____ DATE: _____

APPROVED AS NOTED: _____ DATE: _____

THIS IS A TIME-SENSITIVE DOCUMENT. ENGINEERING &
PRODUCTION CAN NOT BE SCHEDULED UNTIL A SIGNED
APPROVAL DRAWING IS RETURNED. DELAYS IN THE APPROVAL
PROCESS MAY AFFECT THE QUOTED DELIVERY DATE.
THIS DRAWING SUPERSEDES ANY PREVIOUS REVISIONS.

THIS DRAWING IS A CONFIDENTIAL DISCLOSURE AND IS LOANED TO RECALL AT ANY TIME WITH THE UNDERSTANDING THAT IT WILL NOT BE USED IN ANY WAY DETRIMENTAL TO THE INTERESTS OF IMPERIAL SYSTEMS.

MATERIAL SPEC: **Carbon Steel**

PAINT COLOR: **Safety Red**

FINISH: ALL SHARP EDGES TO BE ROUNDED TO A SMOOTH RADIUS
ALL SHARP EDGES TO BE ROUNDED TO A SMOOTH RADIUS
TO BE GRIND SMOOTH

UNLESS OTHERWISE SPECIFIED:
1. NO BURRS OR SHARP EDGES
2. MACHINED SURFACES 125 Ra, DRILLED HOLES 250 Ra

TOLERANCES UNLESS OTHERWISE INDICATED
0 ± .020 FRACTIONS: ± 1/8
.000 ± .005 ANGULAR: ± 1°

SCALE: **1:1**

DD NOT SCALE DRAWING



300 IMPERIAL DRIVE
JACKSON CENTER, PA 16133
T: 724-662-2801
F: 724-662-2803
www.systemsweb.com

DRAWN BY: **SMN**

DATE: **12/18/15**

WEIGHT (lbs): **84**

EIV-12

EXPLOSION ISOLATION VALVE,
Ø12" INLET X Ø12" OUTLET

SHEET 1 OF 1 DRW. NO. **EIV-12-APPR**

4

3

2

1

4

3

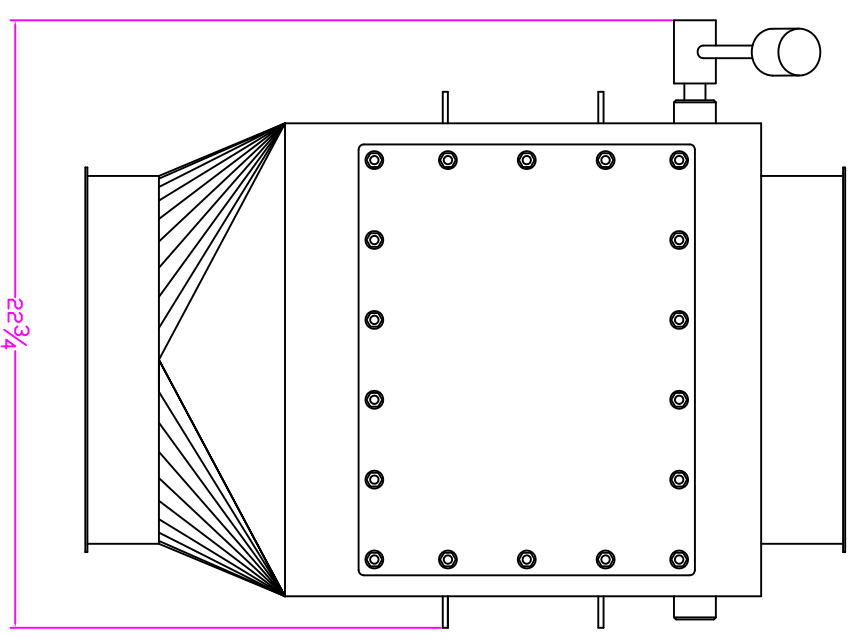
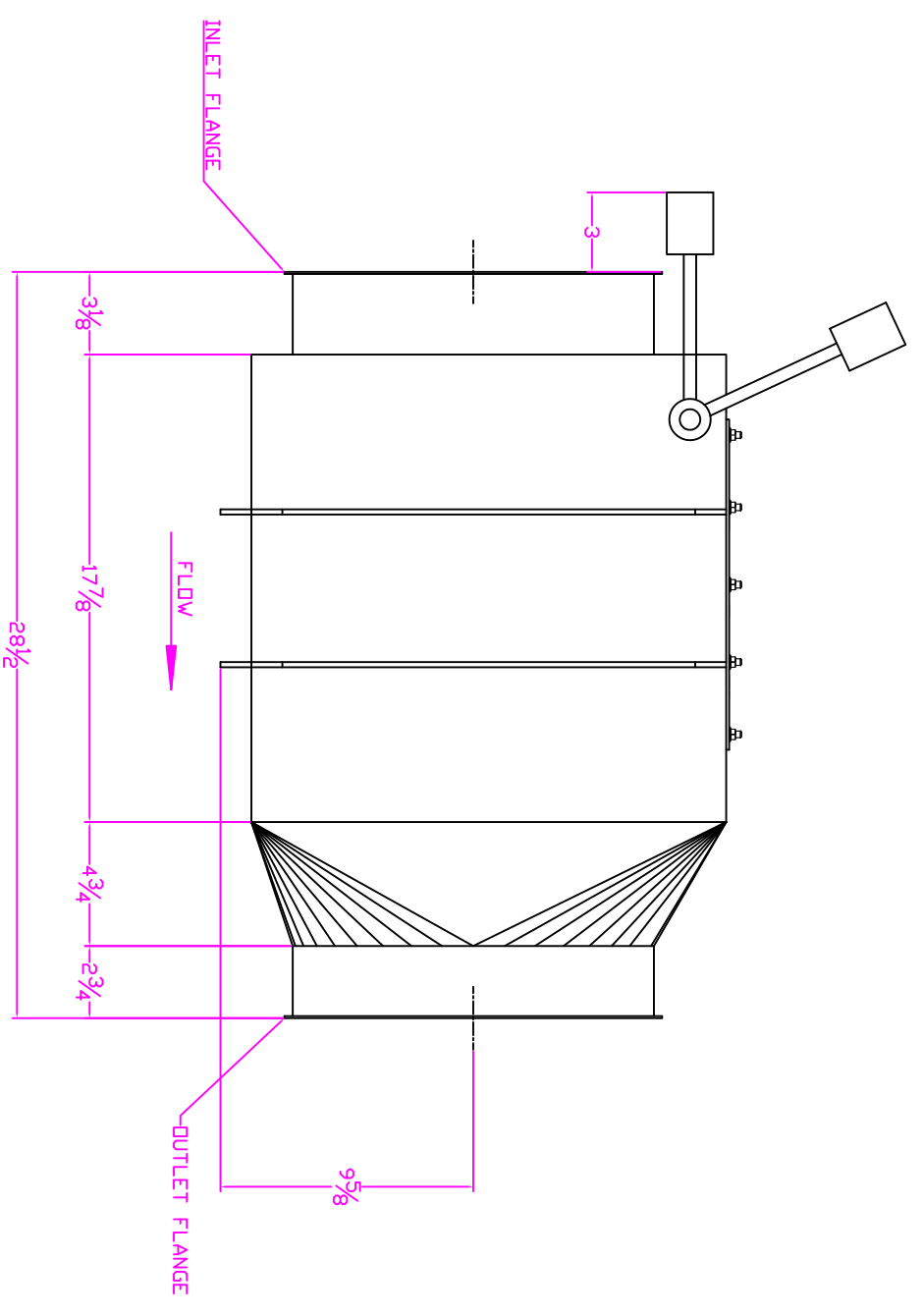
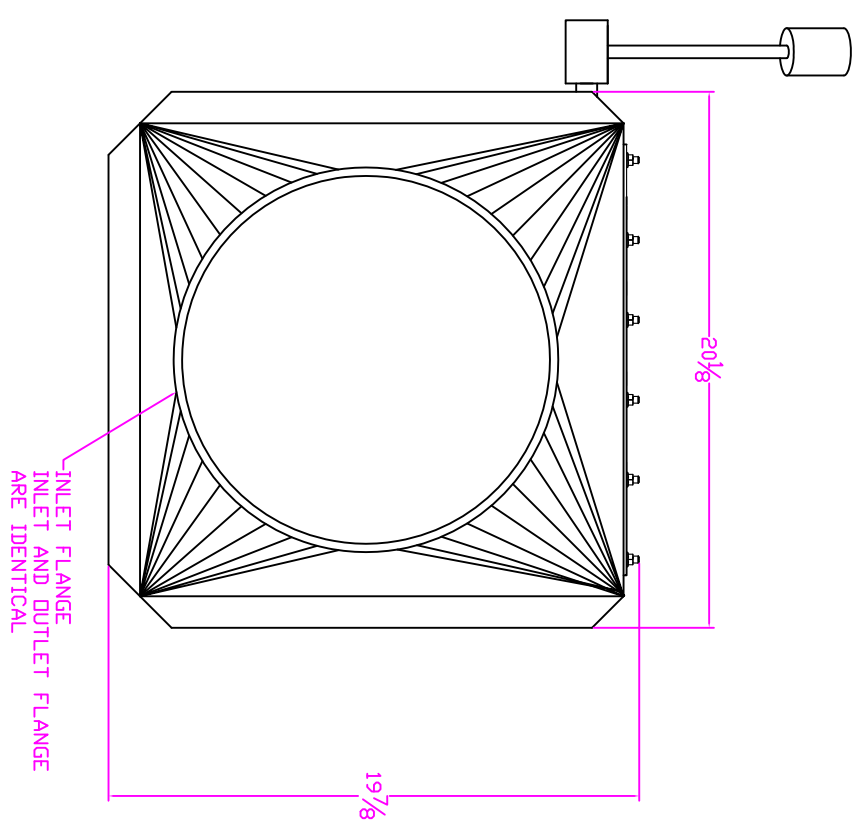
2

1

RATED FOR:

Class ST 3 Applications
Kst MAX: 400 bar m/s
P_{red} : 0.50 bar

Installation distance of the containment system that is to be isolated from the process: **2 Meters**



APPROVAL DRAWING ONLY
NOT FOR PRODUCTION

APPROVED: _____ DATE: _____

APPROVED AS NOTED: _____ DATE: _____

THIS IS A TIME-SENSITIVE DOCUMENT. ENGINEERING & PRODUCTION CAN NOT BE SCHEDULED UNTIL A SIGNED APPROVAL DRAWING IS RETURNED. DELAYS IN THE APPROVAL PROCESS MAY AFFECT THE QUOTED DELIVERY DATE. THIS DRAWING SUPERSEDES ANY PREVIOUS REVISIONS.

THIS DRAWING IS A CONFIDENTIAL DISCLOSURE AND IS LOANED TO RECALL AT ANY TIME WITH THE UNDERSTANDING THAT IT WILL NOT BE USED IN ANY WAY DETRIMENTAL TO THE INTERESTS OF IMPERIAL SYSTEMS.

MATERIAL SPEC: **Carbon Steel**

PAINT COLOR: **Safety Red**

FINISH: ALL SHAPE EDGES TO BE ROUNDED TO A SMOOTH RADIUS. ALL SURFACES TO BE FINISHED TO A SMOOTH FINISH TO BE GRIND SMOOTH.

UNLESS OTHERWISE SPECIFIED:
1. NO BURRS OR SHARP EDGES
2. MACHINED SURFACES 125 Ra, DRILLED HOLES 250 Ra

TOLERANCES UNLESS OTHERWISE INDICATED:
0 ± .020 FRACTIONS: ± 1/8
.00 ± .010 ANGULAR: ± 1°

SCALE: **1:1**

DRAWN BY: **SMN**

DATE: **12/18/15**

WEIGHT (lbs): **100**



300 IMPERIAL DRIVE
JACKSON CENTER PA 16133
T: 724-662-2801
F: 724-662-2803
www.systemsweb.com

EIV-14
EXPLOSION ISOLATION VALVE,
Ø14" INLET X Ø14" OUTLET

SHEET 1 OF 1 | DRW. NO. **EIV-14-APPR**

4

3

2

1

4

3

2

1

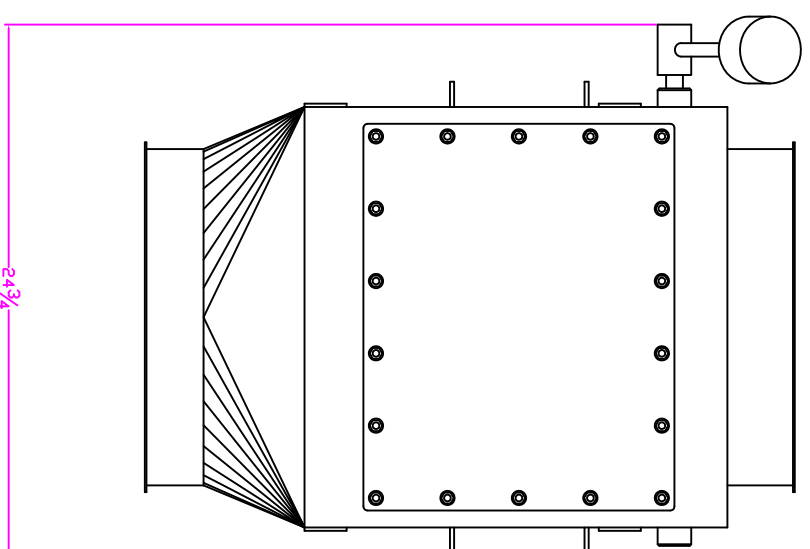
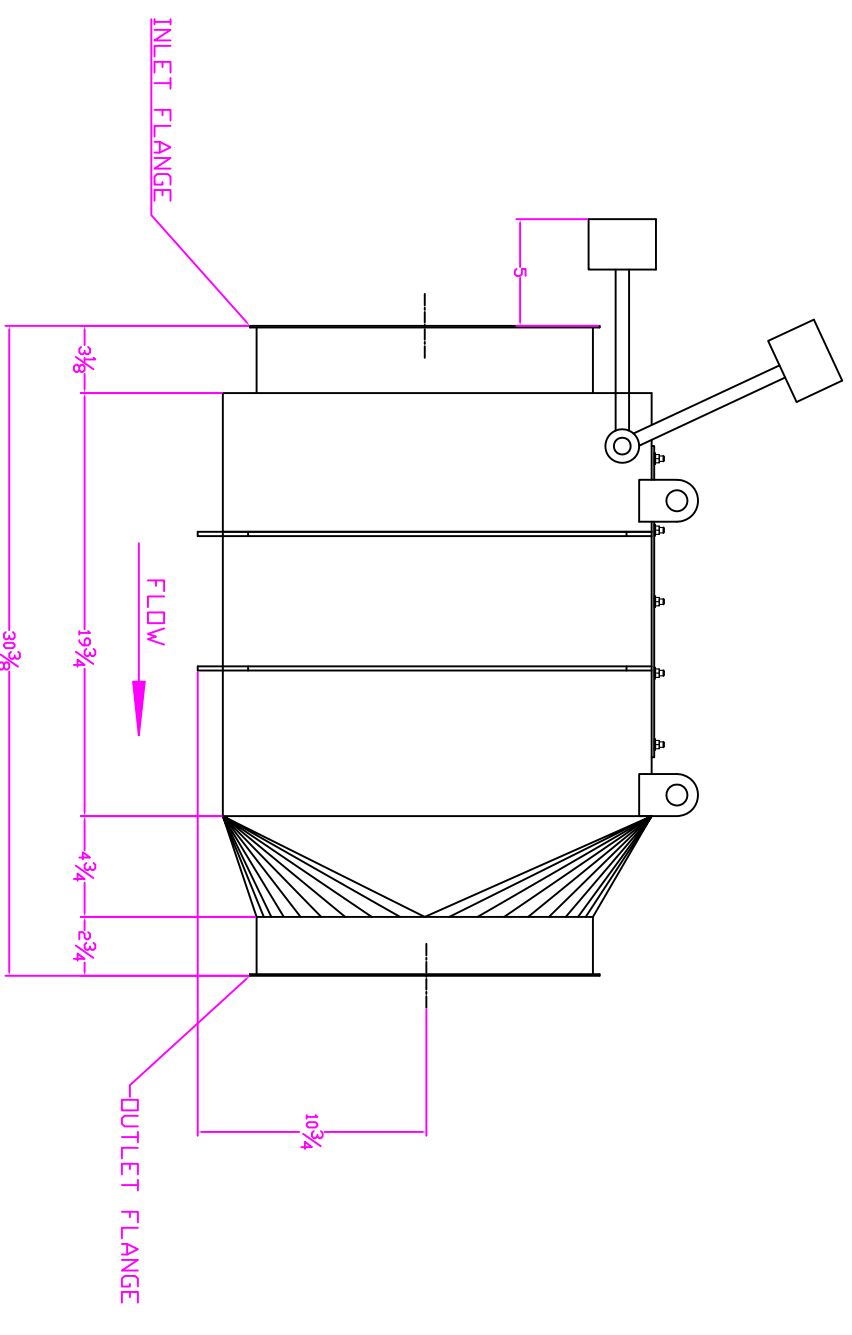
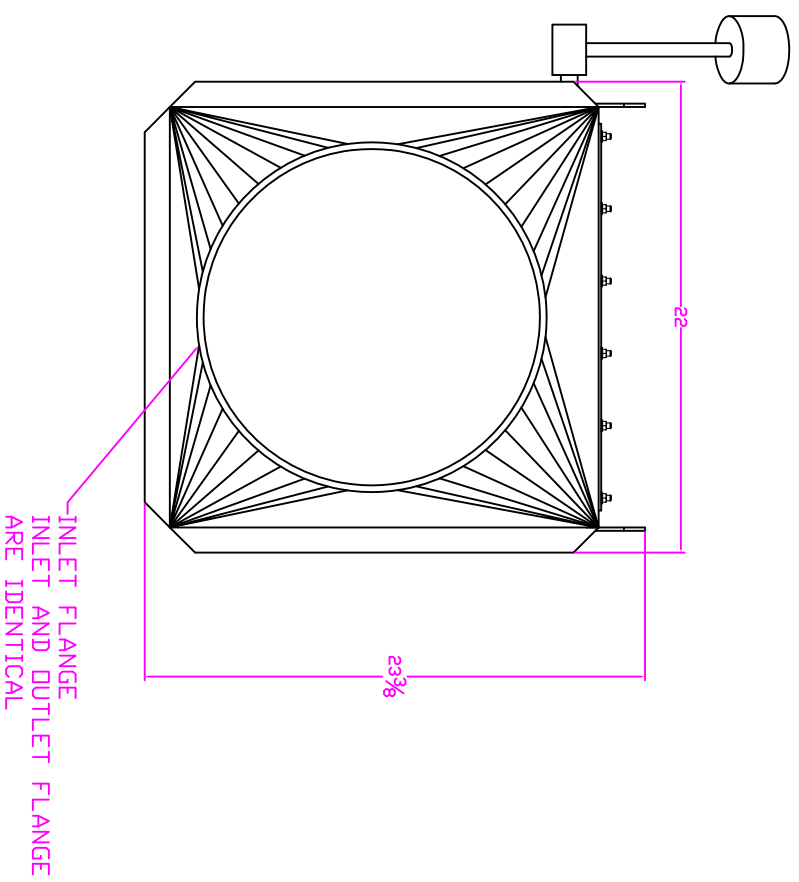
RATED FOR:

Class ST 3 Applications

Kst MAX: 400 bar m/s

P_{red} : 0.50 bar

Installation distance of the containment system that is to be isolated from the process: 2 Meters



APPROVAL DRAWING ONLY
NOT FOR PRODUCTION

APPROVED: _____ DATE: _____

APPROVED AS NOTED: _____ DATE: _____

THIS IS A TIME-SENSITIVE DOCUMENT. ENGINEERING & PRODUCTION CAN NOT BE SCHEDULED UNTIL A SIGNED APPROVAL DRAWING IS RETURNED. DELAYS IN THE APPROVAL PROCESS MAY AFFECT THE QUOTED DELIVERY DATE. THIS DRAWING SUPERSEDES ANY PREVIOUS REVISIONS.

THIS DRAWING IS A CONFIDENTIAL DISCLOSURE AND IS LOANED TO RECALL AT ANY TIME WITH THE UNDERSTANDING THAT IT WILL NOT BE USED IN ANY WAY DETRIMENTAL TO THE INTERESTS OF IMPERIAL SYSTEMS.

MATERIAL SPEC: **Carbon Steel**

PAINT COLOR: **Safety Red**

FINISH: ALL SHARP EDGES TO BE ROUNDED TO A SMOOTH RADIUS. ALL SURFACES TO BE GRIND SMOOTH AFTER AND ALL OTHER SHARP PROJECTION TO BE GRIND SMOOTH.

UNLESS OTHERWISE SPECIFIED:
1. NO BURRS OR SHARP EDGES TO BE GRIND SMOOTH.
2. MACHINED SURFACES 125 Ra, DRILLED HOLES 250 Ra

TOLERANCES UNLESS OTHERWISE INDICATED:
0 ± .020 FRACTIONS: ± 1/8
.000 ± .005 ANGULAR: ± 1°

SCALE: **1:1** DD NOT SCALE DRAWING

DRAWN BY: **SMN** DATE: **12/18/15** WEIGHT (lbs): **120**

300 IMPERIAL DRIVE
JACKSON CENTER, PA 16133
T: 724-662-2801
F: 724-662-2803
www.systemsweb.com

EIV-16
EXPLOSION ISOLATION VALVE,
Ø16" INLET X Ø16" OUTLET

SHEET 1 OF 1 DRW. NO. **EIV-16-APPR**

4

3

2

1

4

3

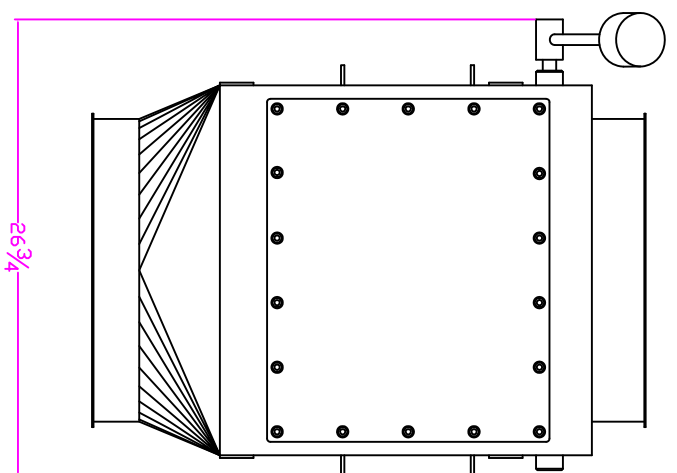
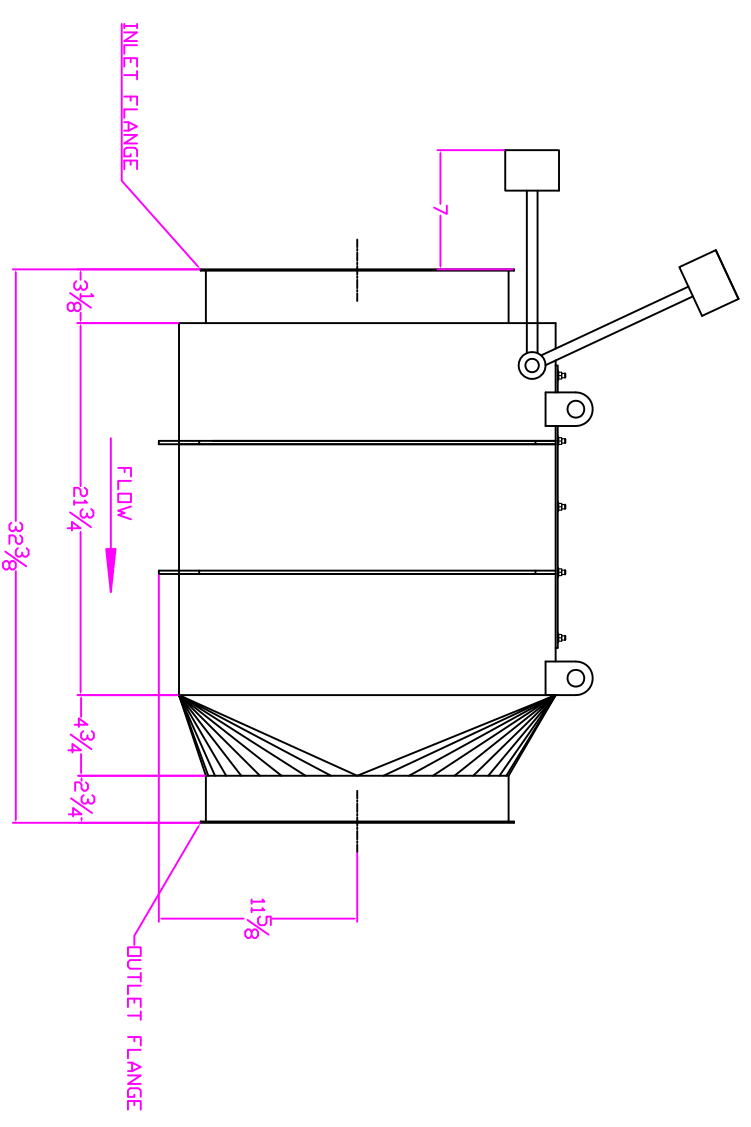
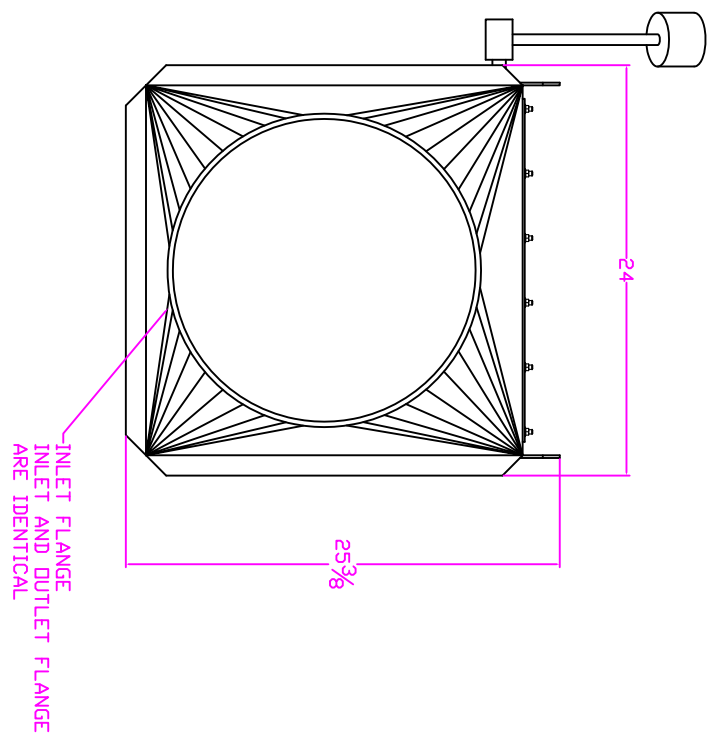
2

1

RATED FOR:

Class ST 3 Applications
Kst MAX: 400 bar m/s
P_{red} : 0.50 bar

Installation distance of the
containment system that is to
be isolated from the process:
3 Meters



**APPROVAL DRAWING ONLY
NOT FOR PRODUCTION**

APPROVED: _____ DATE: _____

APPROVED AS NOTED: _____ DATE: _____

THIS IS A TIME-SENSITIVE DOCUMENT. ENGINEERING & PRODUCTION CAN NOT BE SCHEDULED UNTIL A SIGNED APPROVAL DRAWING IS RETURNED. DELAYS IN THE APPROVAL PROCESS MAY AFFECT THE QUOTED DELIVERY DATE. THIS DRAWING SUPERSEDES ANY PREVIOUS REVISIONS.

THIS DRAWING IS A CONFIDENTIAL DISCLOSURE AND IS LOANED TO RECALL AT ANY TIME WITH THE UNDERSTANDING THAT IT WILL NOT BE USED IN ANY WAY DETRIMENTAL TO THE INTERESTS OF IMPERIAL SYSTEMS.

MATERIAL SPEC: **Carbon Steel**

PAINT COLOR: **Safety Red**

FINISH: ALL SHARP EDGES TO BE ROUNDED TO A SMOOTH RADIUS. ALL SHARP EDGES TO BE ROUNDED TO A SMOOTH RADIUS. ALL SHARP EDGES TO BE ROUNDED TO A SMOOTH RADIUS.

UNLESS OTHERWISE SPECIFIED:
1. NO BURRS OR SHARP EDGES TO BE GRIND SMOOTH
2. MACHINED SURFACES 125 Ra, DRILLED HOLES 250 Ra

TOLERANCES UNLESS OTHERWISE INDICATED:
0 ± .020 FRACTIONS: ± 1/8
.000 ± .005 ANGULAR: ± 1°

SCALE: **1:1** DD NOT SCALE DRAWING

DRAWN BY: **SMN** DATE: **12/18/15** WEIGHT (lbs): **150**

300 IMPERIAL DRIVE
JACKSON CENTER PA 16133
T: 724-662-2801
F: 724-662-2803
www.systemsweb.com



EIV-18
EXPLOSION ISOLATION VALVE,
Ø18" INLET X Ø18" OUTLET

SHEET 1 OF 1 DRW. NO. **EIV-18-APPR**

4

3

2

1

4

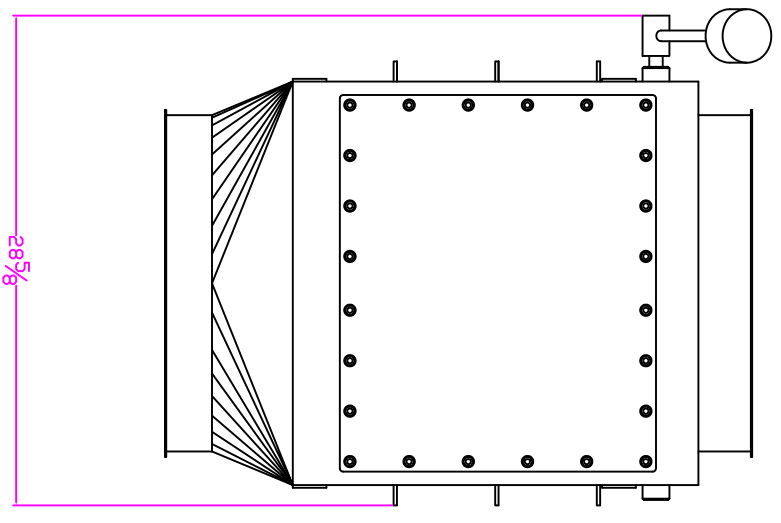
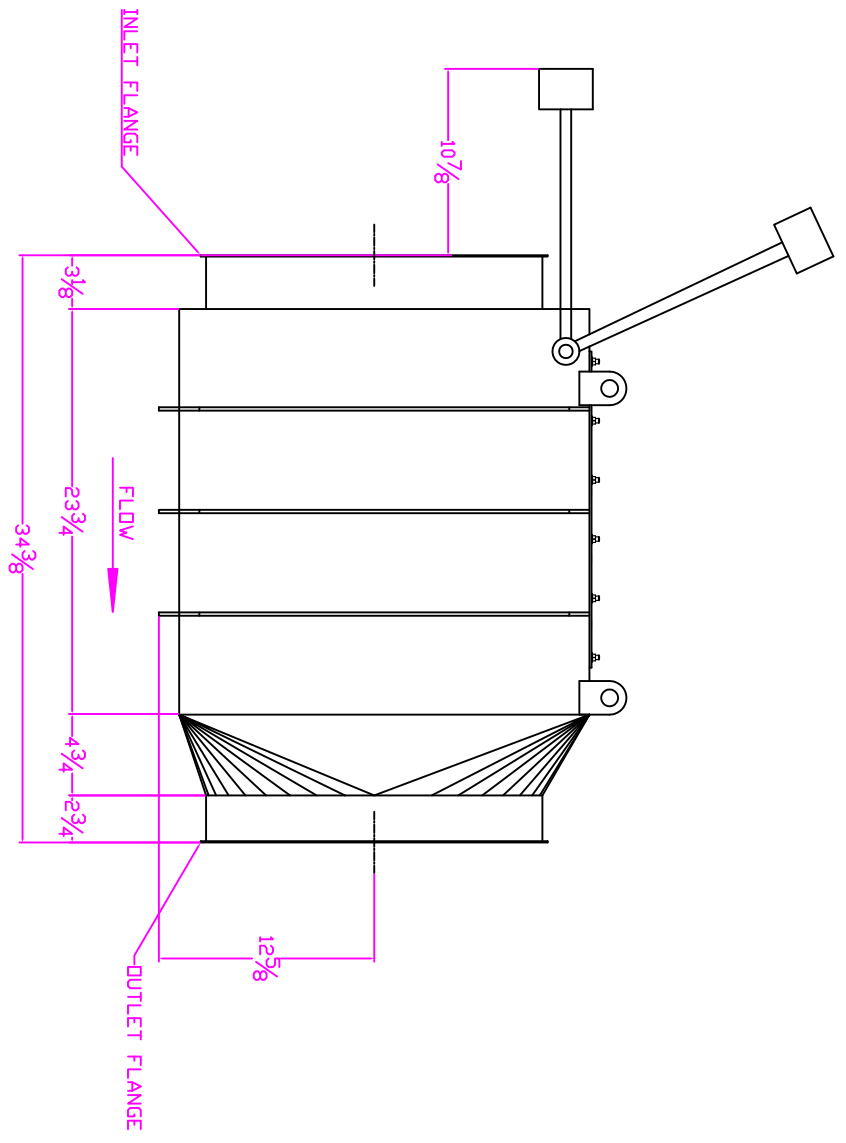
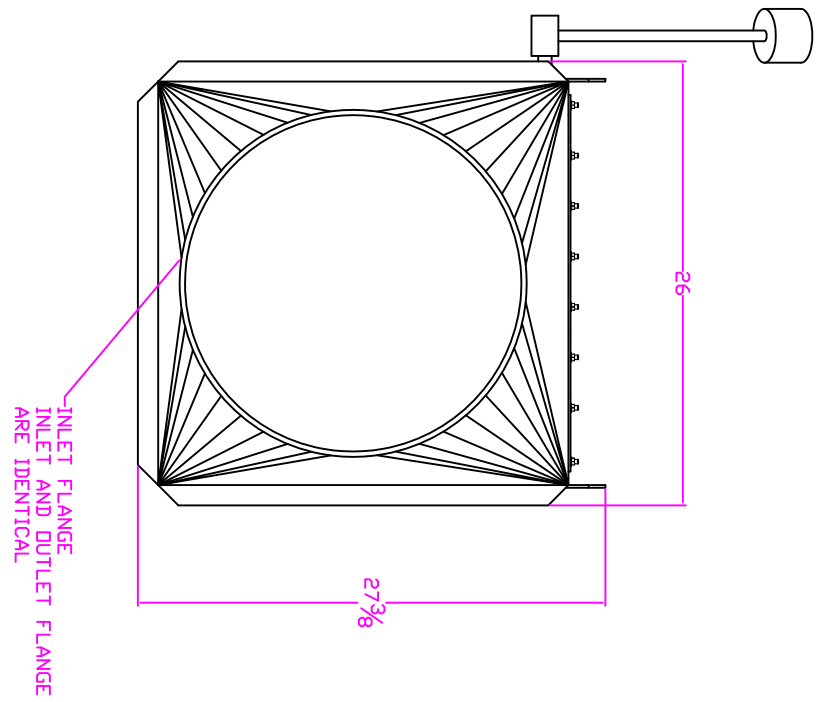
3

2

1

RATED FOR:
 Class ST 3 Applications
 Kst MAX: 400 bar m/s
 P_{rad} : 0.50 bar

Installation distance of the containment system that is to be isolated from the process: 3 Meters



**APPROVAL DRAWING ONLY
 NOT FOR PRODUCTION**

APPROVED: _____ DATE: _____
 APPROVED AS NOTED: _____ DATE: _____

THIS IS A TIME-SENSITIVE DOCUMENT. ENGINEERING & PRODUCTION CAN NOT BE SCHEDULED UNTIL A SIGNED APPROVAL DRAWING IS RETURNED. DELAYS IN THE APPROVAL PROCESS MAY AFFECT THE QUOTED DELIVERY DATE. THIS DRAWING SUPERSEDES ANY PREVIOUS REVISIONS.

THIS DRAWING IS A CONFIDENTIAL DISCLOSURE AND IS LOANED TO RECALL AT ANY TIME WITH THE UNDERSTANDING THAT IT WILL NOT BE USED IN ANY WAY DETRIMENTAL TO THE INTERESTS OF IMPERIAL SYSTEMS.

MATERIAL SPEC: **Carbon Steel**

PAINT COLOR: **Safety Red**

FINISH: ALL SHARP EDGES TO BE ROUNDED TO A SMOOTH RADIUS. ALL SURFACES TO BE FINISHED TO A SMOOTH FINISH TO BE GRIND SMOOTH.

UNLESS OTHERWISE SPECIFIED:
 1. NO BURRS OR SHARP EDGES
 2. MACHINED SURFACES 125 Ra, DRILLED HOLES 250 Ra

TOLERANCES UNLESS OTHERWISE INDICATED:
 DIMENSIONS: ± .020 FRACTIONS: ± 1/8
 ANGULAR: ± 1°

SCALE: **1:1** DD NOT SCALE DRAWING

DRAWN BY: **SMN** DATE: **12/18/15** WEIGHT (lbs): **221**

300 IMPERIAL DRIVE
 JACKSON CENTER, PA 16133
 T: 724-662-2801
 F: 724-662-2803
 www.systemsweb.com

EIV-20
EXPLOSION ISOLATION VALVE,
Ø20" INLET X Ø20" OUTLET

SHEET 1 OF 1 DRW. NO. **EIV-20-APPR**

4

3

2

1

4

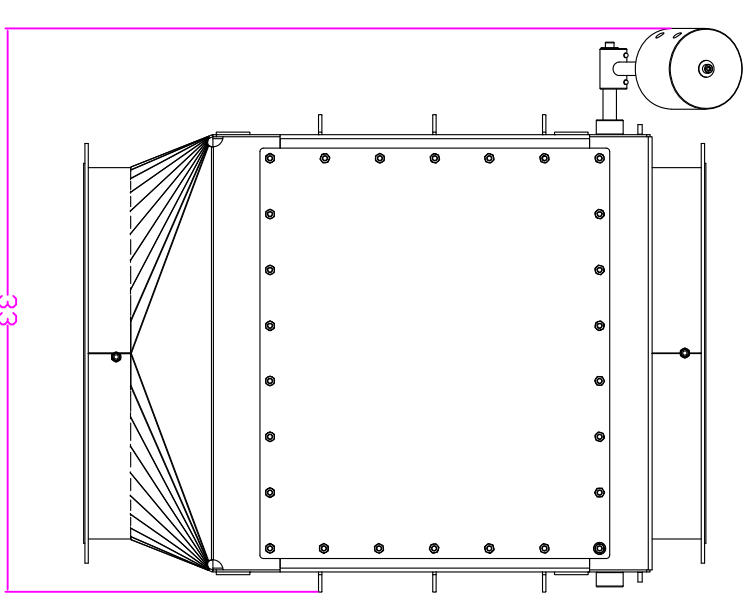
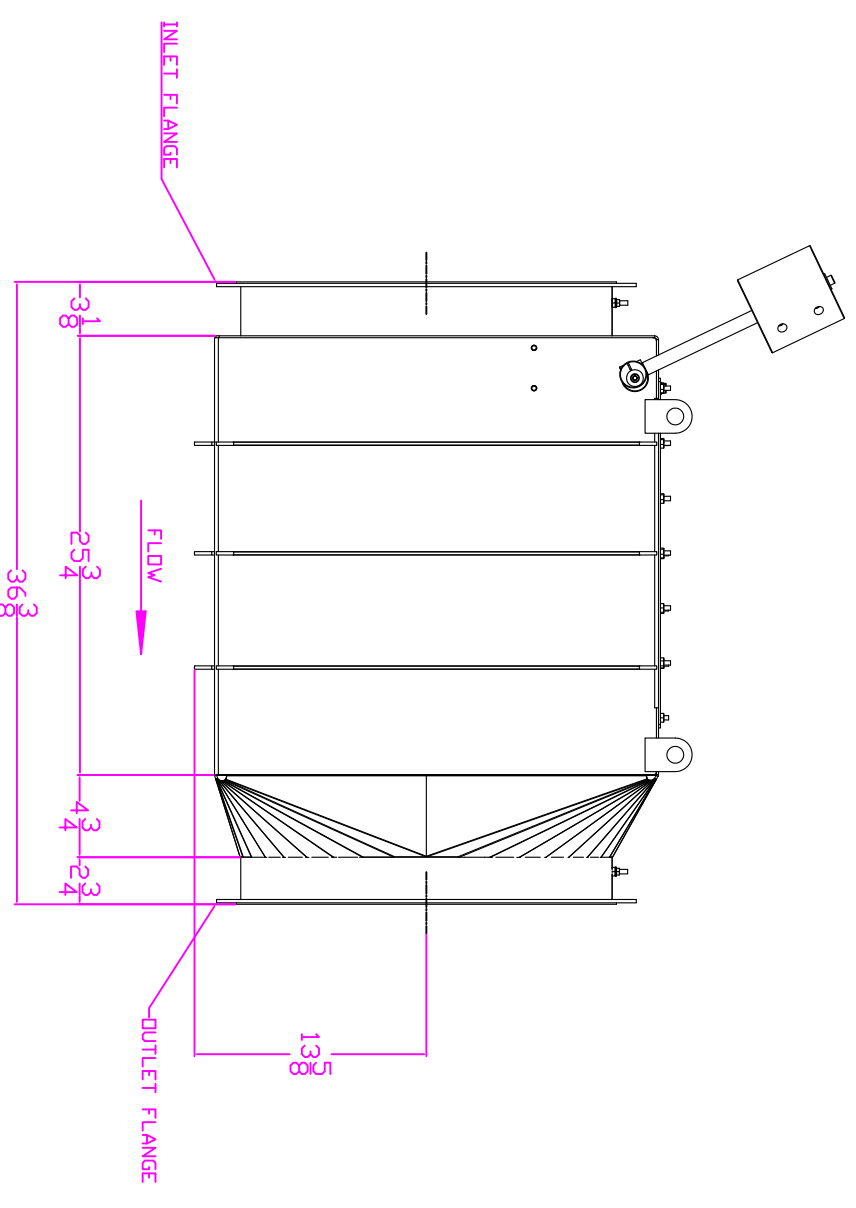
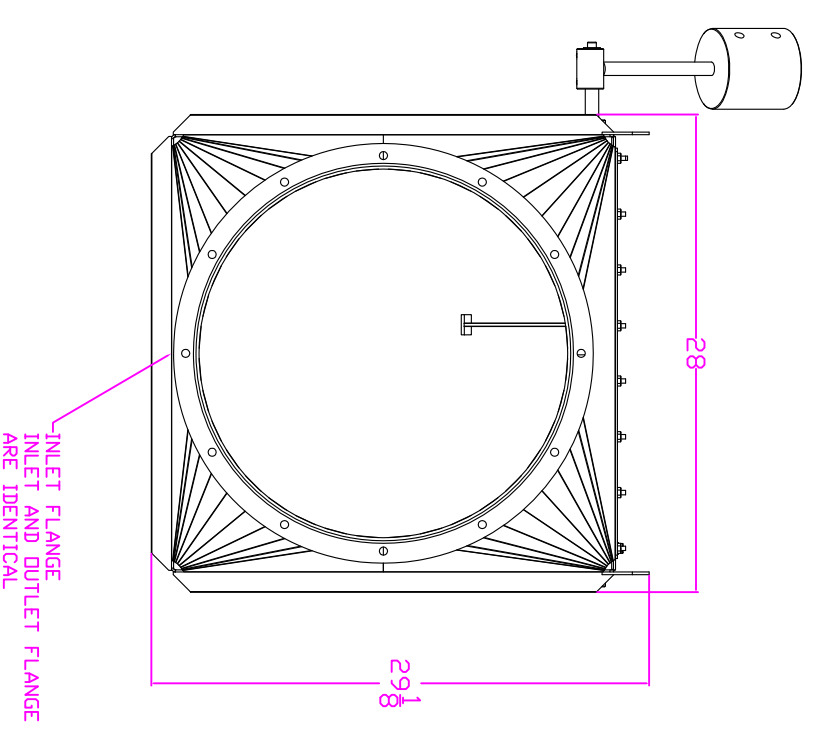
3

2

1

RATED FOR:
 Class ST 3 Applications
 Kst MAX: 400 bar m/s
 P_{red} : 0.50 bar

Installation distance of the containment system that is to be isolated from the process: **3 Meters**



**APPROVAL DRAWING ONLY
 NOT FOR PRODUCTION**

APPROVED: DATE:

APPROVED AS NOTED: DATE:

THIS IS A TIME-SENSITIVE DOCUMENT. ENGINEERING & PRODUCTION CAN NOT BE SCHEDULED UNTIL A SIGNED APPROVAL DRAWING IS RETURNED. DELAYS IN THE APPROVAL PROCESS MAY AFFECT THE QUOTED DELIVERY DATE. THIS DRAWING SUPERSEDES ANY PREVIOUS REVISIONS.

THIS DRAWING IS A CONFIDENTIAL DISCLOSURE AND IS LOANED TO RECALL AT ANY TIME WITH THE UNDERSTANDING THAT IT WILL NOT BE USED IN ANY WAY DETRIMENTAL TO THE INTERESTS OF IMPERIAL SYSTEMS.

MATERIAL SPEC: **Carbon Steel**

PAINT COLOR: **Safety Red**

FINISH: ALL SHARP EDGES TO BE ROUNDED TO A SMOOTH RADIUS. ALL SURFACES TO BE FINISHED TO A SMOOTH TO BE GRIND SMOOTH.

UNLESS OTHERWISE SPECIFIED:
 1. NO BURRS OR SHARP EDGES
 2. MACHINED SURFACES 125 Ra, DRILLED HOLES 250 Ra

TOLERANCES UNLESS OTHERWISE INDICATED:
 DIMENSIONS: ± .020 FRACTIONS: ± 1/8
 ANGULAR: ± 1°

SCALE: **1:1** DD NOT SCALE DRAWING

DRAWN BY: **SMN** DATE: **12/18/15** WEIGHT (lbs): **221**

300 IMPERIAL DRIVE
 JACKSON CENTER, PA 16133
 T: 724-662-2801
 F: 724-662-2803
 www.systemsinc.com

EIV-22
EXPLOSION ISOLATION VALVE,
Ø22" INLET X Ø22" OUTLET

SHEET 1 OF 1 DRW. NO. **EIV-22-APPR**

4

3

2

1

4

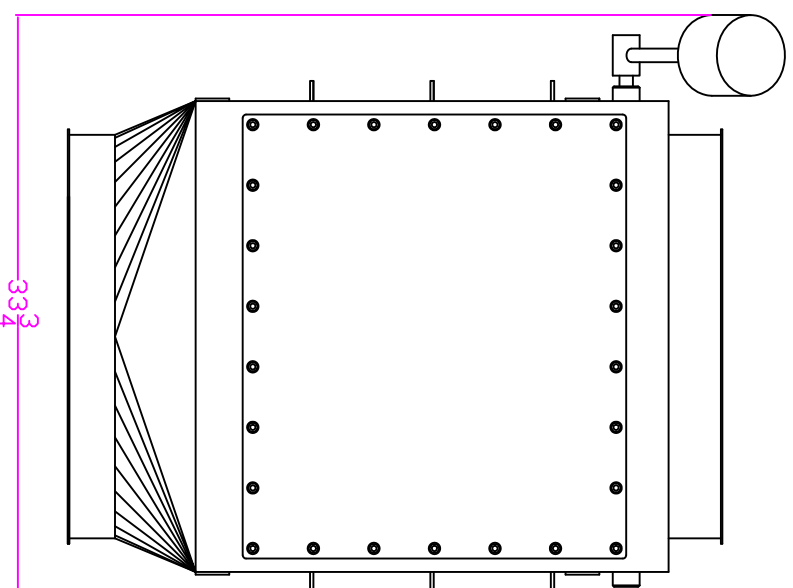
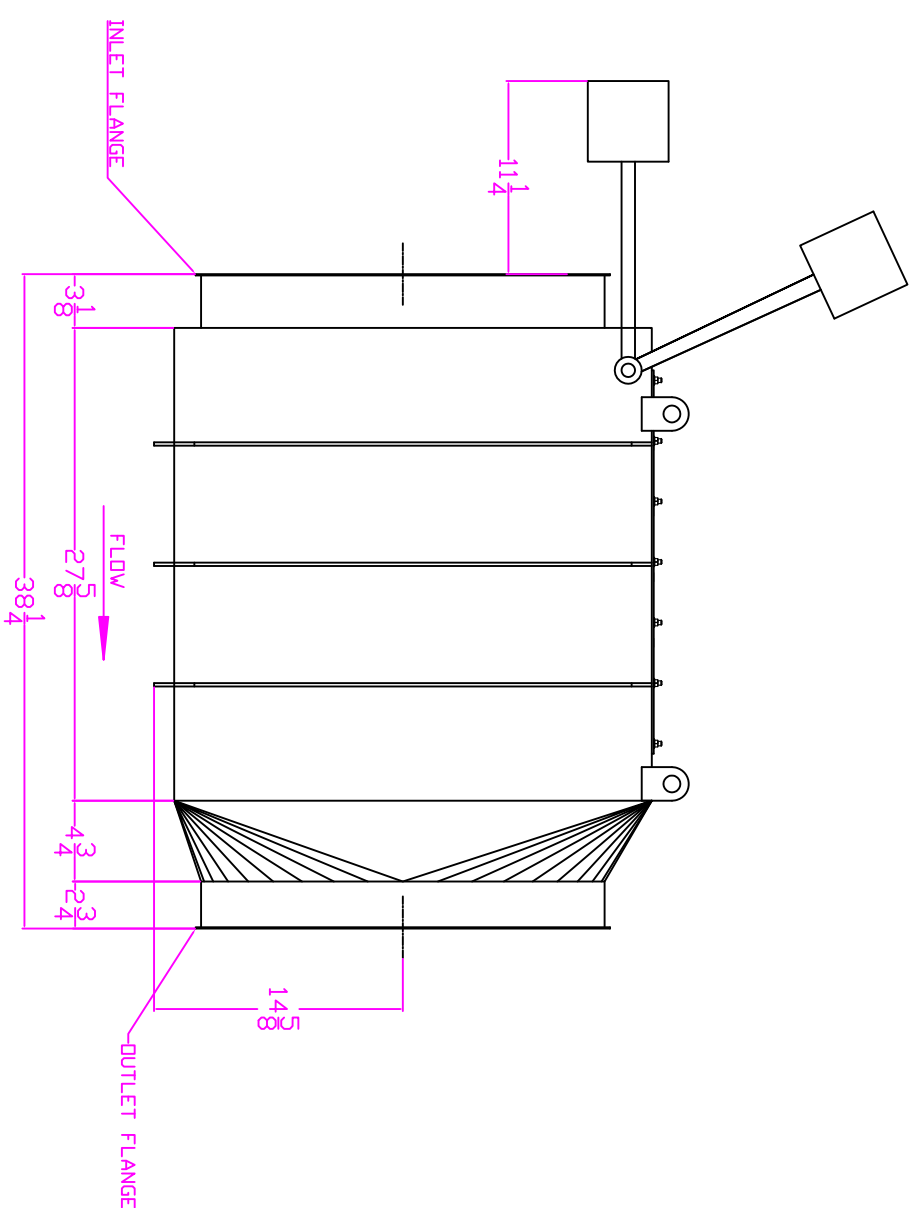
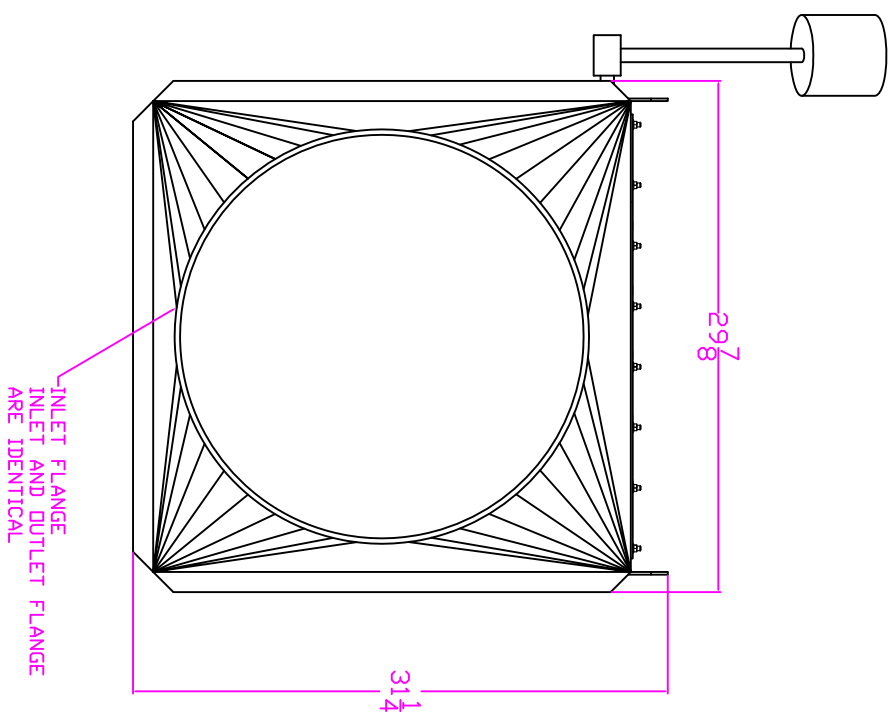
3

2

1

RATED FOR:
 Class ST 3 Applications
 Kst MAX: 400 bar m/s
 P_{red} : 0.50 bar

Installation distance of the containment system that is to be isolated from the process: **3 Meters**



**APPROVAL DRAWING ONLY
 NOT FOR PRODUCTION**

APPROVED: _____ DATE: _____

APPROVED AS NOTED: _____ DATE: _____

THIS IS A TIME-SENSITIVE DOCUMENT. ENGINEERING & PRODUCTION CAN NOT BE SCHEDULED UNTIL A SIGNED APPROVAL DRAWING IS RETURNED. DELAYS IN THE APPROVAL PROCESS MAY AFFECT THE QUOTED DELIVERY DATE. THIS DRAWING SUPERSEDES ANY PREVIOUS REVISIONS.

THIS DRAWING IS A CONFIDENTIAL DISCLOSURE AND IS LOANED TO RECALL AT ANY TIME WITH THE UNDERSTANDING THAT IT WILL NOT BE USED IN ANY WAY DETRIMENTAL TO THE INTERESTS OF IMPERIAL SYSTEMS.

MATERIAL SPEC: **Carbon Steel**

PAINT COLOR: **Safety Red**

FINISH: ALL SHARP EDGES TO BE ROUNDED TO A SMOOTH RADIUS. ALL SURFACES TO BE FINISHED TO A SMOOTH FINISH TO BE GRIND SMOOTH.

UNLESS OTHERWISE SPECIFIED:
 1. NO BURRS OR SHARP EDGES
 2. MACHINED SURFACES 125 Ra, DRILLED HOLES 250 Ra

TOLERANCES UNLESS OTHERWISE INDICATED:
 0 ± .020 FRACTIONS: ± 1/8
 .000 ± .005 ANGULAR: ± 1°

SCALE: **1:1**

DD NOT SCALE DRAWING

DRAWN BY: **SMN** DATE: **12/18/15** WEIGHT (lbs): **254**

300 IMPERIAL DRIVE
 JACKSON CENTER, PA 16133
 T: 724-662-2801
 F: 724-662-2803
 www.systemsinc.com

EIV-24
EXPLOSION ISOLATION VALVE,
Ø24" INLET X Ø24" OUTLET

SHEET 1 OF 1 | DRW. NO. **EIV-24-APPR**

4

3

2

1

4

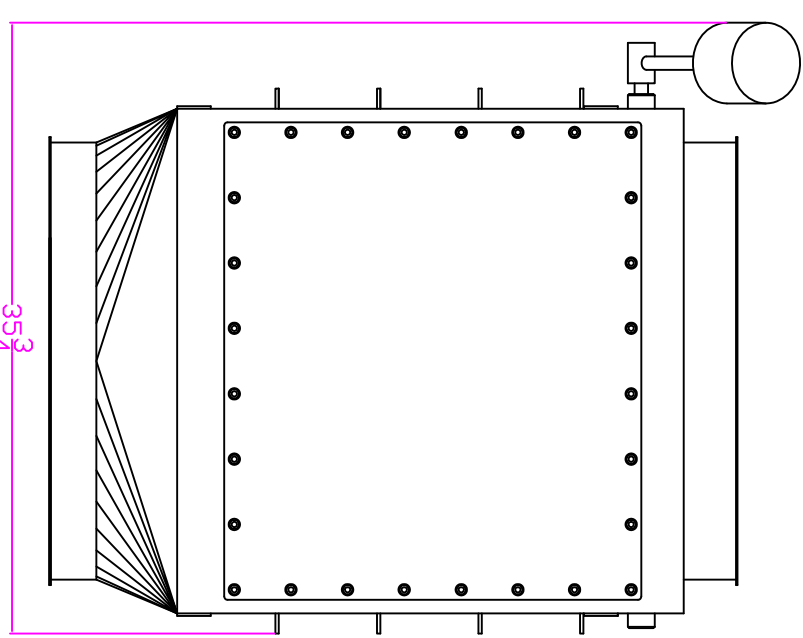
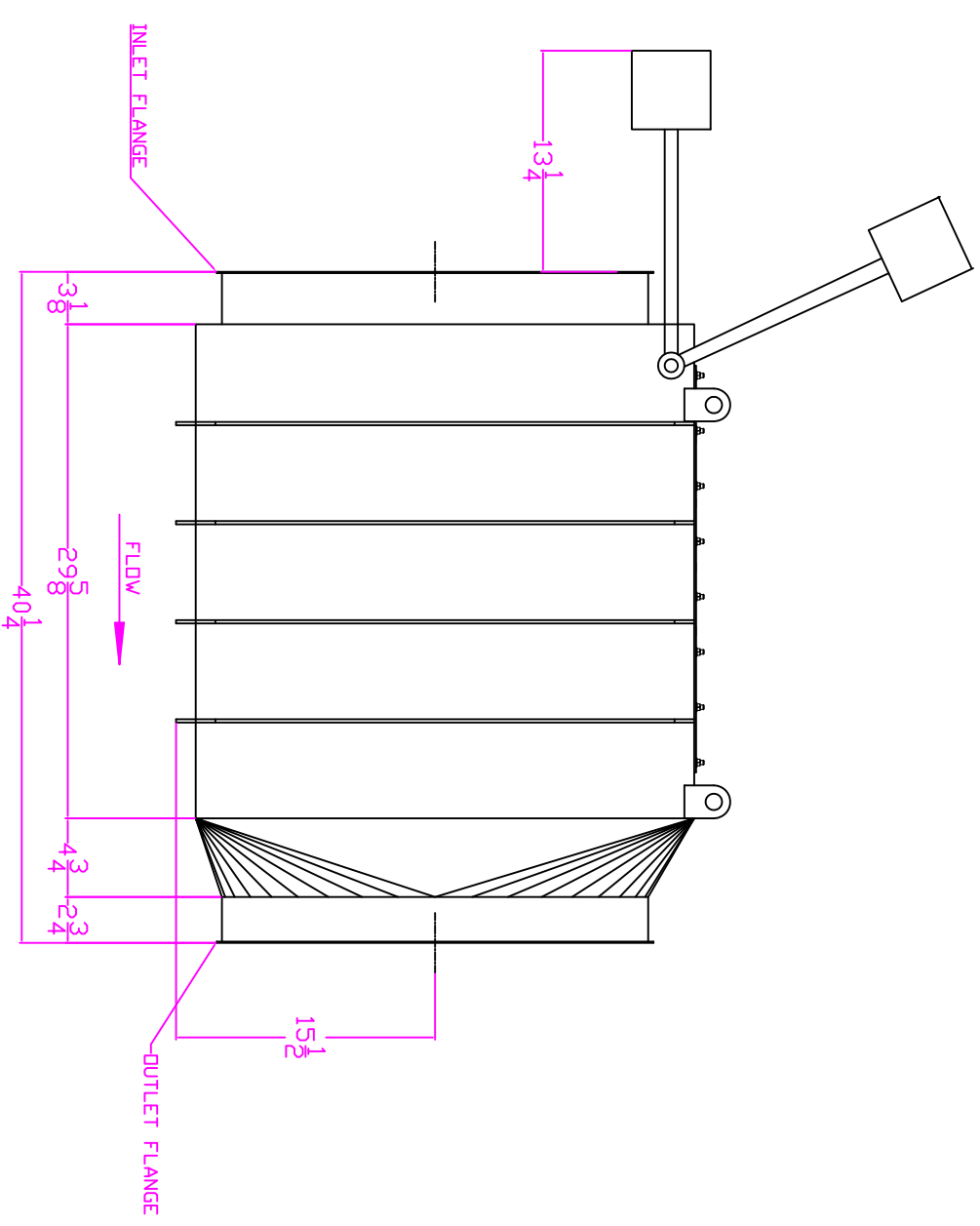
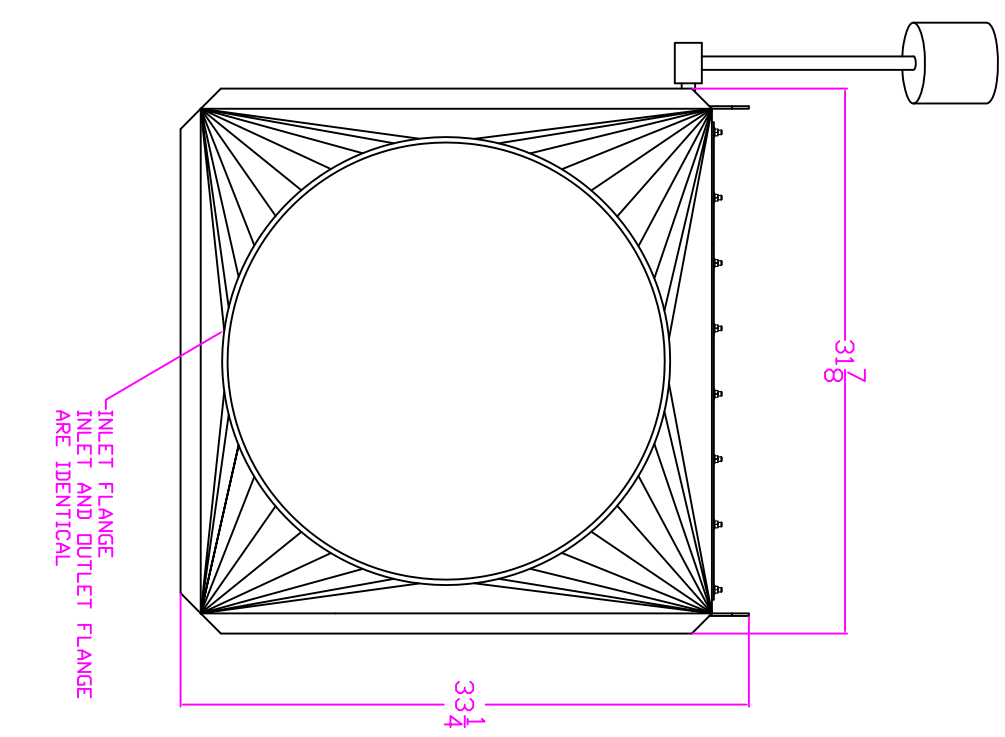
3

2

1

RATED FOR:
 Class ST 3 Applications
 Kst MAX: 400 bar m/s
 P_{red} : 0.50 bar

Installation distance of the containment system that is to be isolated from the process: 3 Meters



**APPROVAL DRAWING ONLY
 NOT FOR PRODUCTION**

APPROVED: _____ DATE: _____

APPROVED AS NOTED: _____ DATE: _____

THIS IS A TIME-SENSITIVE DOCUMENT. ENGINEERING & PRODUCTION CAN NOT BE SCHEDULED UNTIL A SIGNED APPROVAL DRAWING IS RETURNED. DELAYS IN THE APPROVAL PROCESS MAY AFFECT THE QUOTED DELIVERY DATE. THIS DRAWING SUPERSEDES ANY PREVIOUS REVISIONS.

THIS DRAWING IS A CONFIDENTIAL DISCLOSURE AND IS LOANED TO RECALL AT ANY TIME WITH THE UNDERSTANDING THAT IT WILL NOT BE USED IN ANY WAY DETRIMENTAL TO THE INTERESTS OF IMPERIAL SYSTEMS.

MATERIAL SPEC: **Carbon Steel**

PAINT COLOR: **Safety Red**

FINISH: ALL SHARP EDGES TO BE ROUNDED TO A SMOOTH RADIUS. ALL SURFACES TO BE FINISHED TO A SMOOTH FINISH TO BE GRIND SMOOTH.

UNLESS OTHERWISE SPECIFIED:
 1. NO BURRS OR SHARP EDGES
 2. MACHINED SURFACES 125 Ra, DRILLED HOLES 250 Ra

TOLERANCES UNLESS OTHERWISE INDICATED:
 .00 ± .020 FRACTIONS: ± 1/8
 .000 ± .005 ANGULAR: ± 1°

SCALE: **1:1**

DRAWN BY: **SMN** DATE: **12/18/15** WEIGHT (lbs): **276**

300 IMPERIAL DRIVE
 JACKSON CENTER, PA 16133
 T: 724-662-2801
 F: 724-662-2803
 www.systemsred.com

EIV-26
EXPLOSION ISOLATION VALVE,
Ø26" INLET X Ø26" OUTLET

SHEET 1 OF 1 | DRW. NO. **EIV-26-APPR**

4

3

2

1

4

3

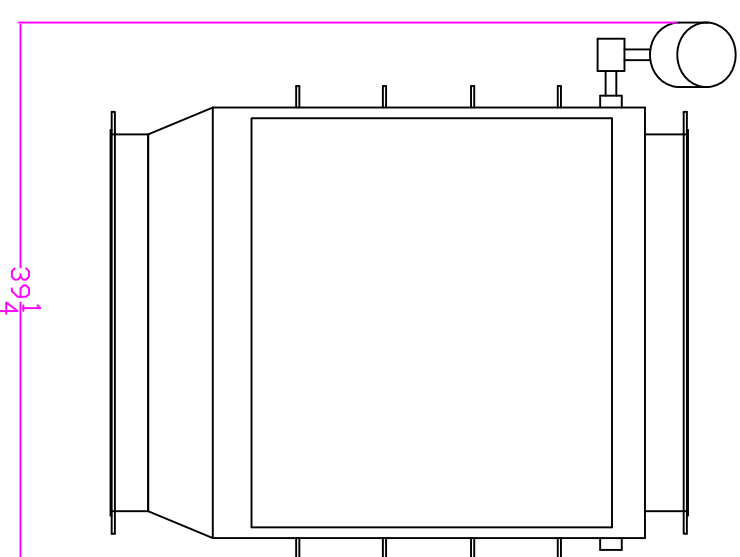
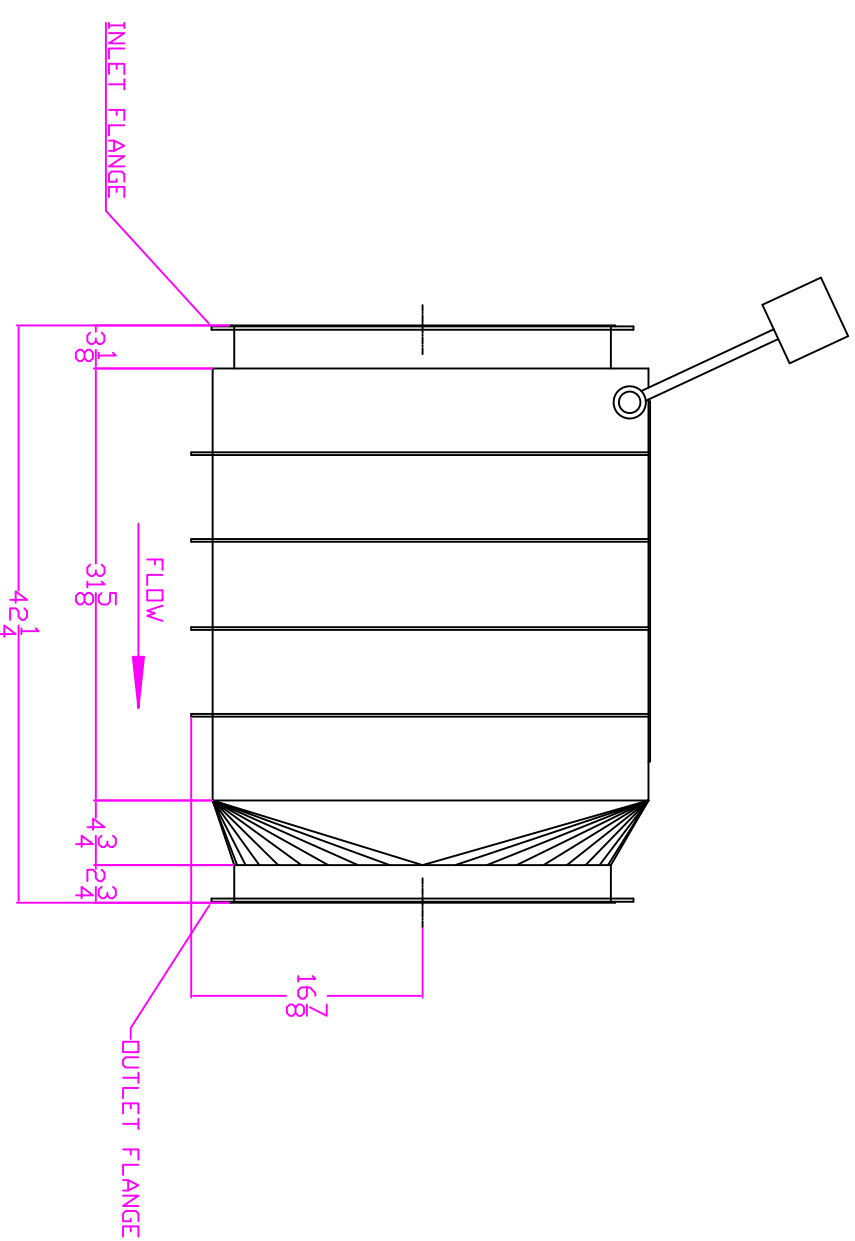
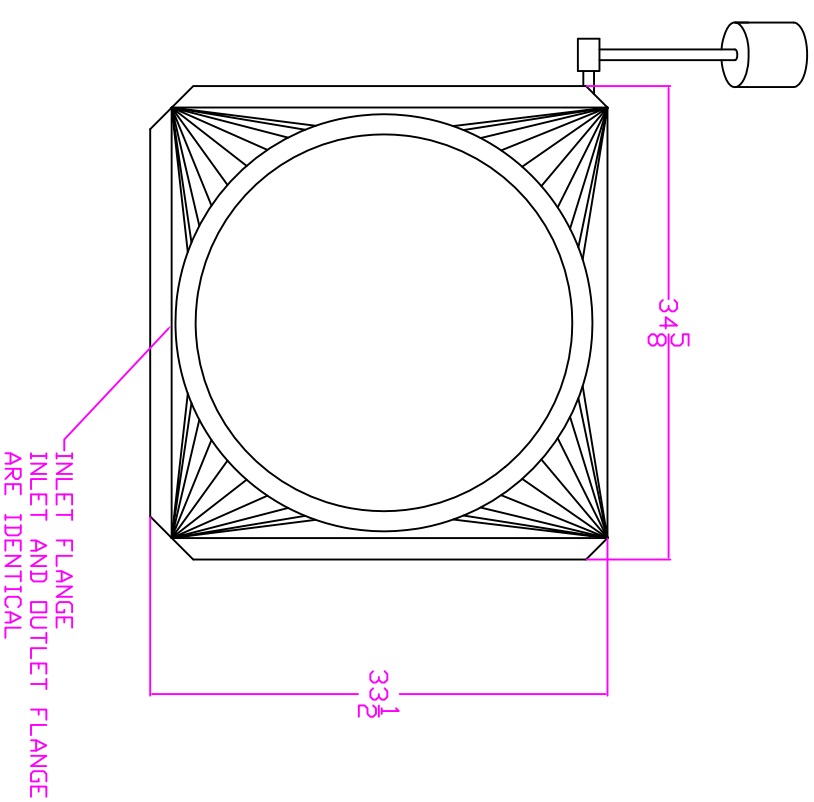
2

1

RATED FOR:

Class ST 3 Applications
Kst MAX: 400 bar m/s
P_{red} : 0.50 bar

Installation distance of the
containment system that is to
be isolated from the process:
3 Meters



APPROVAL DRAWING ONLY
NOT FOR PRODUCTION

APPROVED: _____ DATE: _____

APPROVED AS NOTED: _____ DATE: _____

THIS IS A TIME-SENSITIVE DOCUMENT. ENGINEERING & PRODUCTION CAN NOT BE SCHEDULED UNTIL A SIGNED APPROVAL DRAWING IS RETURNED. DELAYS IN THE APPROVAL PROCESS MAY AFFECT THE QUOTED DELIVERY DATE. THIS DRAWING SUPERSEDES ANY PREVIOUS REVISIONS.

THIS DRAWING IS A CONFIDENTIAL DISCLOSURE AND IS LOANED TO RECALL AT ANY TIME WITH THE UNDERSTANDING THAT IT WILL NOT BE USED IN ANY WAY DETRIMENTAL TO THE INTERESTS OF IMPERIAL SYSTEMS.

MATERIAL SPEC: **Carbon Steel**

PAINT COLOR: **Safety Red**

FINISH: ALL SHARP EDGES TO BE ROUNDED TO A SMOOTH RADIUS. ALL SURFACES TO BE MACHINED SMOOTH. ALL SPINDLES, HATCHES AND ALL OTHER SHARP PROJECTION TO BE ROUNDED SMOOTH.

UNLESS OTHERWISE SPECIFIED:
1. NO BURRS OR SHARP EDGES
2. MACHINED SURFACES 125 Ra, DRILLED HOLES 250 Ra

TOLERANCES UNLESS OTHERWISE INDICATED:
0 ± .020 FRACTIONS: ± 1/8
.000 ± .005 ANGULAR: ± 1°

SCALE: **1:1** DD NOT SCALE DRAWING

DRAWN BY: **SMN** DATE: **12/18/15** WEIGHT (lbs): **298**

300 IMPERIAL DRIVE
JACKSON CENTER, PA 16133
T: 724-662-2801
F: 724-662-2803
www.systemsweb.com



EIV-28
EXPLOSION ISOLATION VALVE,
ø28" INLET X ø28" OUTLET

SHEET 1 OF 1 DRW. NO. **EIV-28-APPR**

4

3

2

1

4

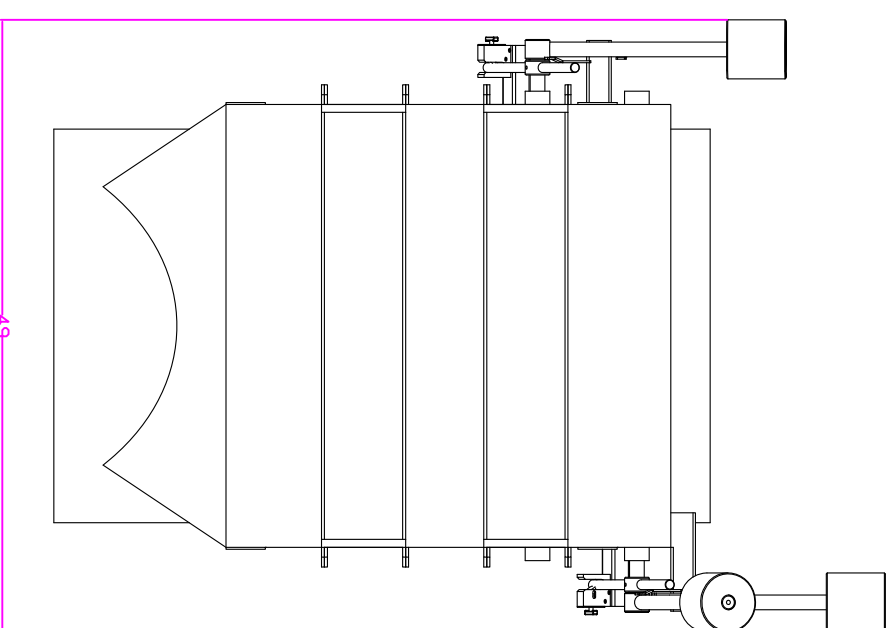
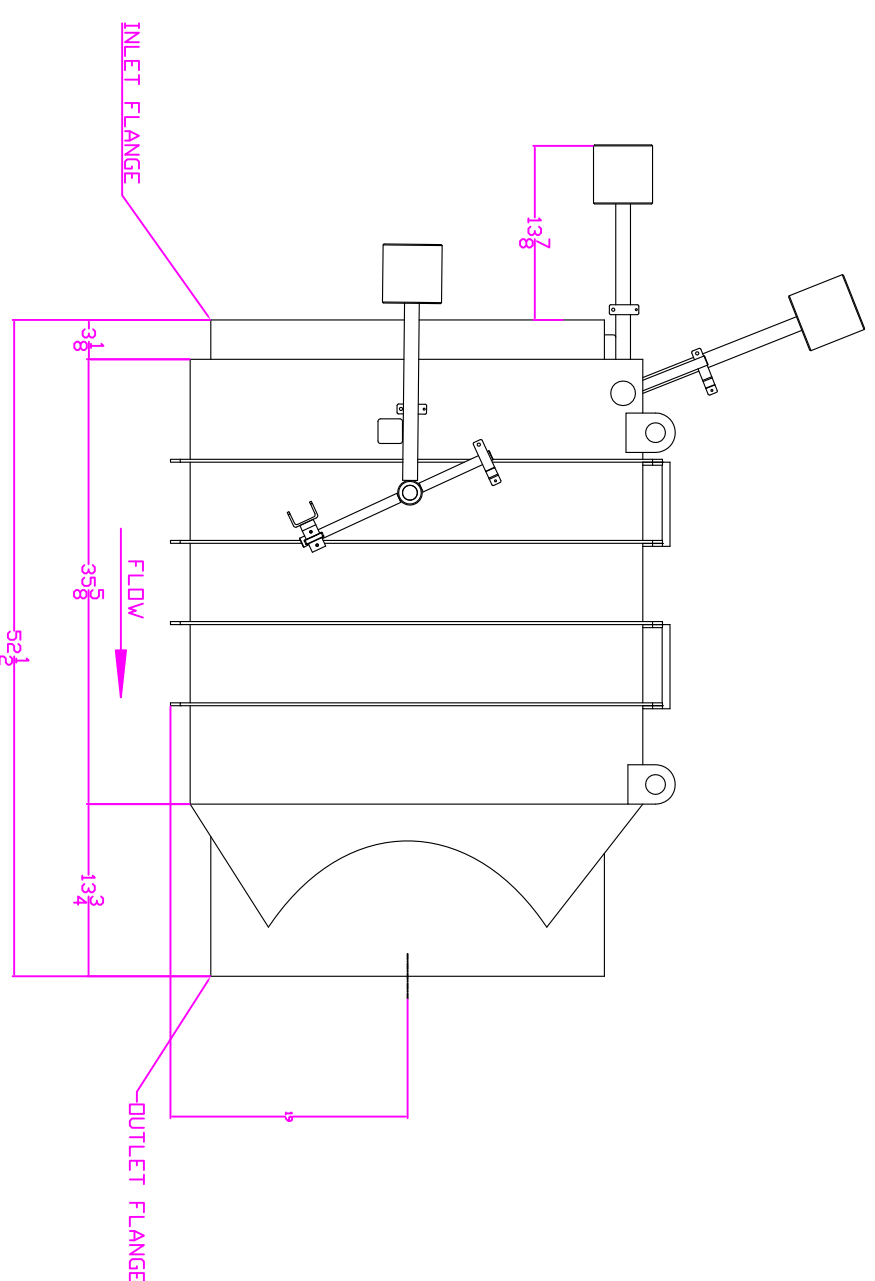
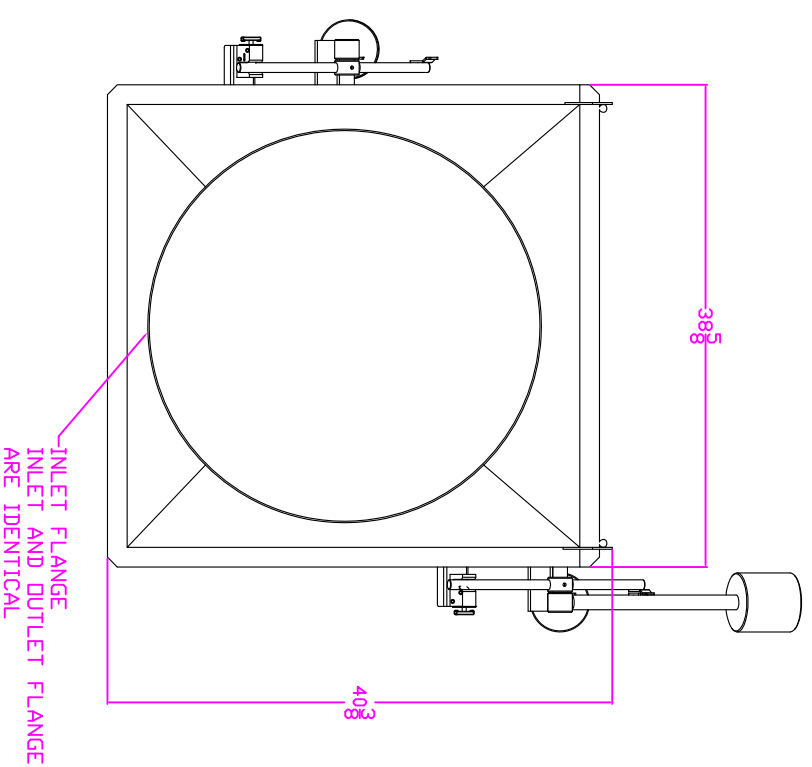
3

2

1

RATED FOR:
 Class ST 2 Applications
 Kst MAX: 299 bar m/s
 P_{red} : 0.25 bar

Installation distance of the containment system that is to be isolated from the process: **3 Meters**



**APPROVAL DRAWING ONLY
 NOT FOR PRODUCTION**

APPROVED: _____ DATE: _____

APPROVED AS NOTED: _____ DATE: _____

THIS IS A TIME-SENSITIVE DOCUMENT. ENGINEERING & PRODUCTION CAN NOT BE SCHEDULED UNTIL A SIGNED APPROVAL DRAWING IS RETURNED. DELAYS IN THE APPROVAL PROCESS MAY AFFECT THE QUOTED DELIVERY DATE. THIS DRAWING SUPERSEDES ANY PREVIOUS REVISIONS.

THIS DRAWING IS A CONFIDENTIAL DISCLOSURE AND IS LOANED TO RECALL AT ANY TIME WITH THE UNDERSTANDING THAT IT WILL NOT BE USED IN ANY WAY DETRIMENTAL TO THE INTERESTS OF IMPERIAL SYSTEMS.

MATERIAL SPEC: **Carbon Steel**

PAINT COLOR: **Safety Red**

FINISH: ALL SHARP EDGES TO BE ROUNDED TO A SMOOTH RADIUS. ALL SURFACES TO BE FINISHED TO A SMOOTH TO BE GRIND SMOOTH.

UNLESS OTHERWISE SPECIFIED:
 1. NO BURRS OR SHARP EDGES TO BE GRIND SMOOTH.
 2. MACHINED SURFACES 125 Ra, DRILLED HOLES 250 Ra

TOLERANCES UNLESS OTHERWISE INDICATED:
 DIMENSIONS: 0 ± .020 FRACTIONS: ± 1/8
 ANGULAR: ± 1°

SCALE: **1:1** DD NOT SCALE DRAWING

DRAWN BY: **SMN** DATE: **12/18/15** WEIGHT (lbs): **728**

300 IMPERIAL DRIVE
 JACKSON CENTER PA 16133
 T: 724-662-2801
 F: 724-662-2803
 www.systemsweb.com

EIV-32
EXPLOSION ISOLATION VALVE,
Ø32" INLET X Ø32" OUTLET

SHEET 1 OF 1 DRW. NO. **EIV-32-APPR**

4

3

2

1

4

3

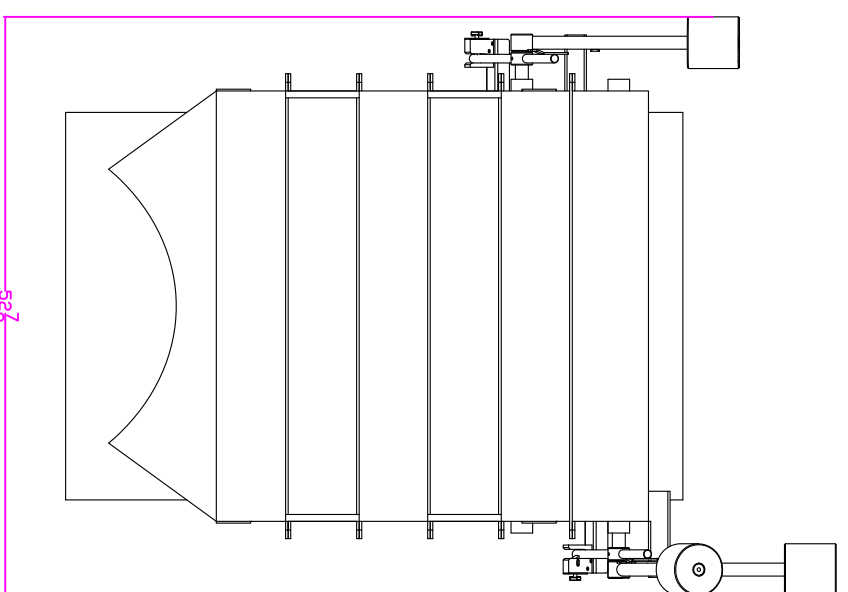
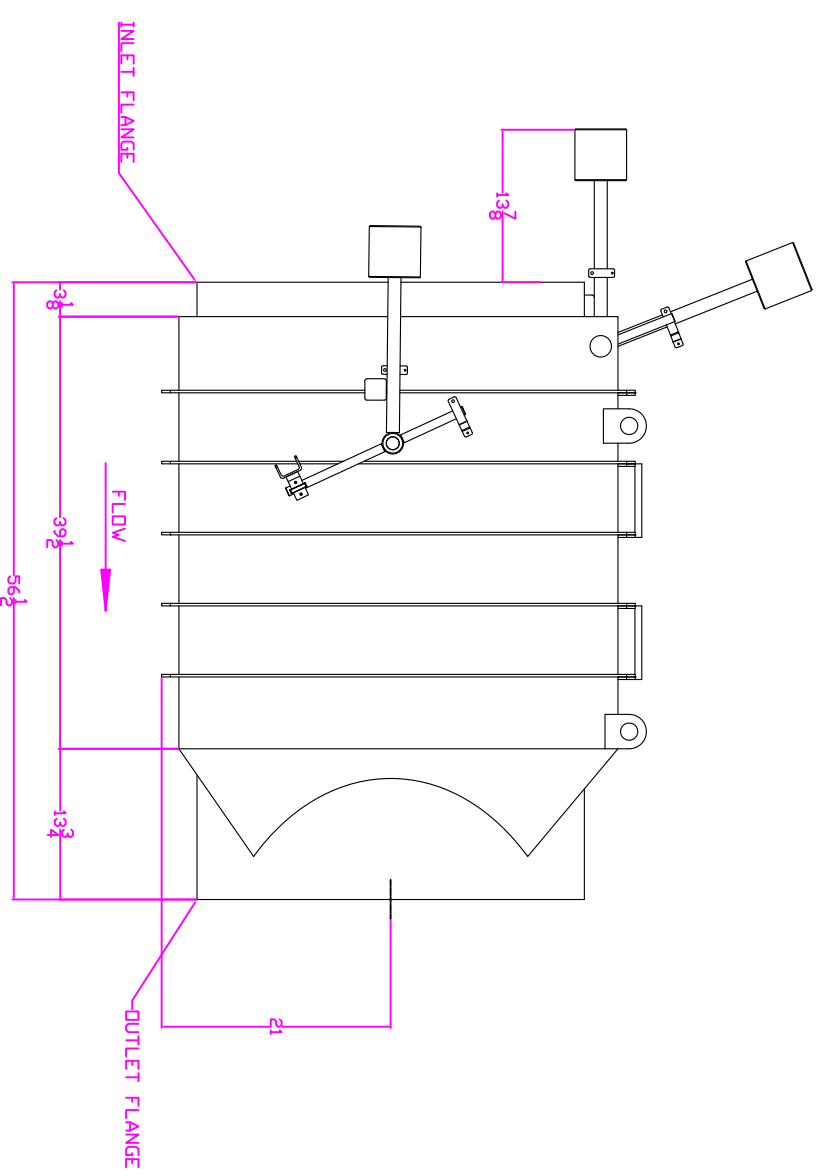
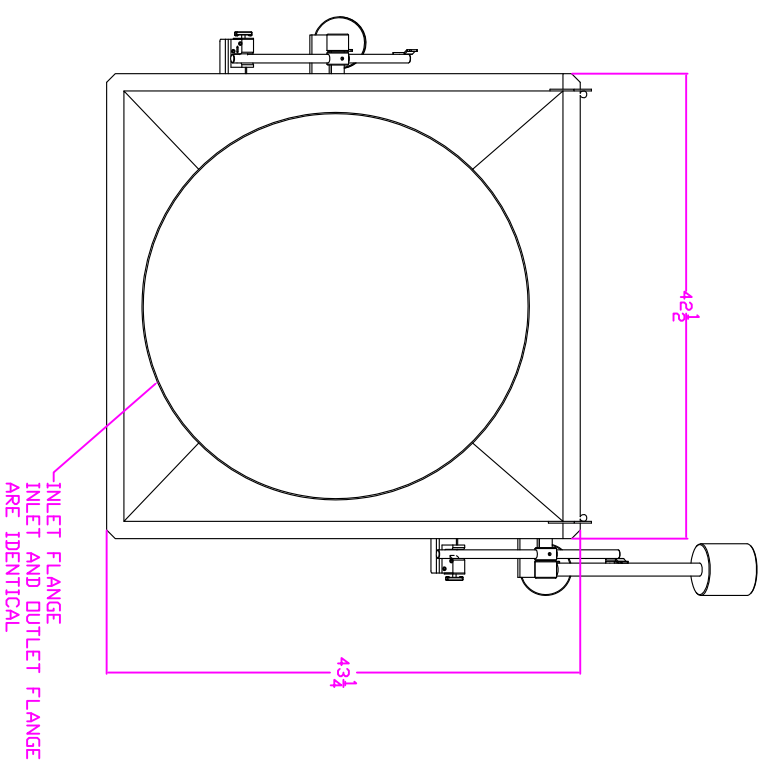
2

1

RATED FOR:

Class ST 2 Applications
Kst MAX: 299 bar m/s
P_{red} : 0.25 bar

Installation distance of the containment system that is to be isolated from the process: **3 Meters**



**APPROVAL DRAWING ONLY
NOT FOR PRODUCTION**

APPROVED: _____ DATE: _____

APPROVED: _____ DATE: _____

APPROVED AS NOTED: _____ DATE: _____

THIS IS A TIME-SENSITIVE DOCUMENT. ENGINEERING & PRODUCTION CAN NOT BE SCHEDULED UNTIL A SIGNED APPROVAL DRAWING IS RETURNED. DELAYS IN THE APPROVAL PROCESS MAY AFFECT THE QUOTED DELIVERY DATE. THIS DRAWING SUPERSEDES ANY PREVIOUS REVISIONS.

THIS DRAWING IS A CONFIDENTIAL DISCLOSURE AND IS LOANED TO RECALL AT ANY TIME WITH THE UNDERSTANDING THAT IT WILL NOT BE USED IN ANY WAY DETRIMENTAL TO THE INTERESTS OF IMPERIAL SYSTEMS.

MATERIAL SPEC: **Carbon Steel**

PAINT COLOR: **Safety Red**

FINISH: ALL SHARP EDGES TO BE ROUNDED TO A SMOOTH RADIUS
ALL SHARP EDGES TO BE ROUNDED TO A SMOOTH RADIUS
ALL SHARP EDGES TO BE ROUNDED TO A SMOOTH RADIUS
TO BE GRIND SMOOTH

UNLESS OTHERWISE SPECIFIED:
1. NO BURRS OR SHARP EDGES
2. MACHINED SURFACES 125 Ra, DRILLED HOLES 250 Ra

TOLERANCES UNLESS OTHERWISE INDICATED
0 ± .020 FRACTIONS: ± 1/8
.000 ± .005 ANGULAR: ± 1°

SCALE 1:1 DD NOT SCALE DRAWING

DRAWN BY: **SMN** DATE: **12/18/15** WEIGHT (lbs): **860**



EIV-36
EXPLOSION ISOLATION VALVE,
Ø36" INLET X Ø36" OUTLET

SHEET 1 OF 1 DRW. NO. **EIV-36-APPR**

4

3

2

1

4

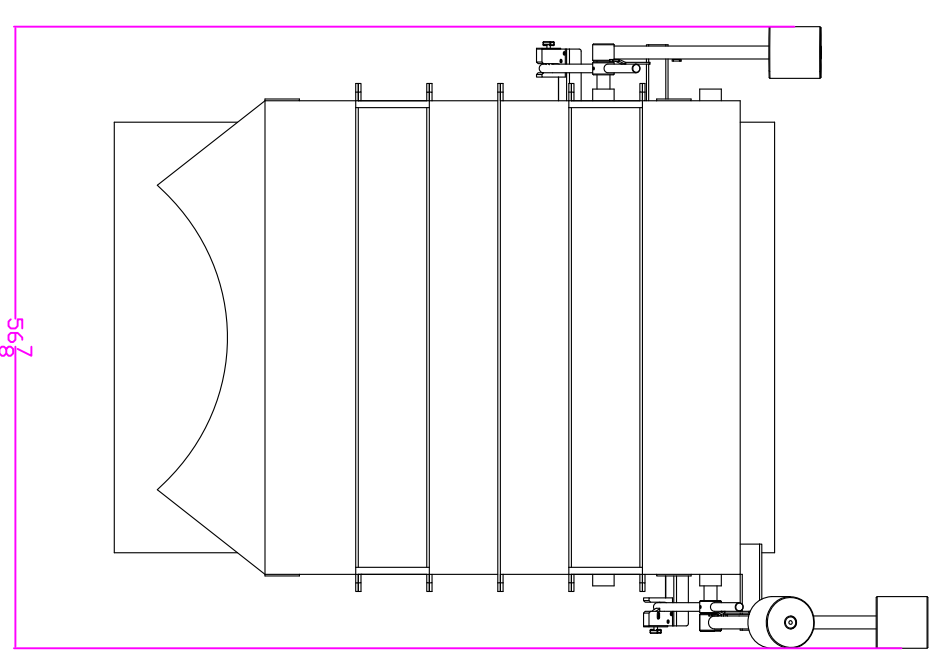
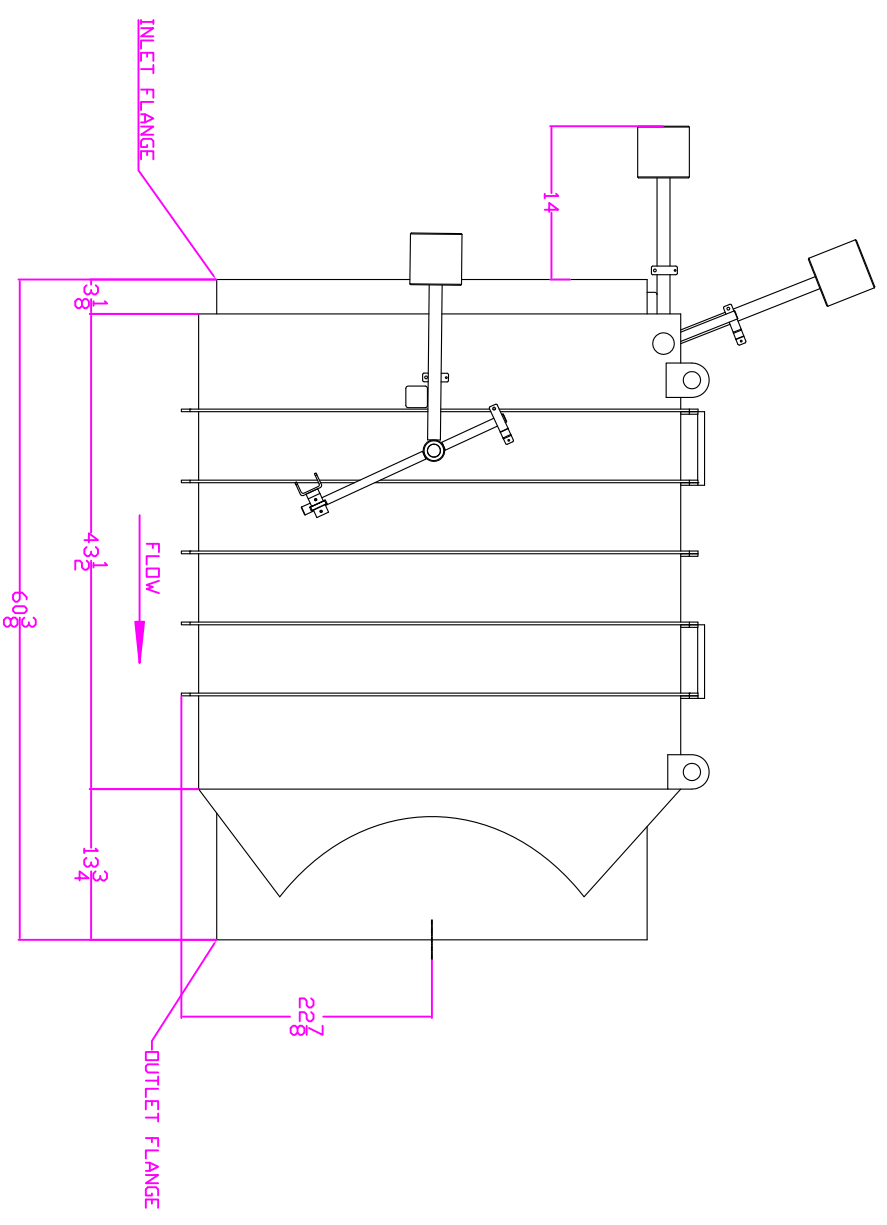
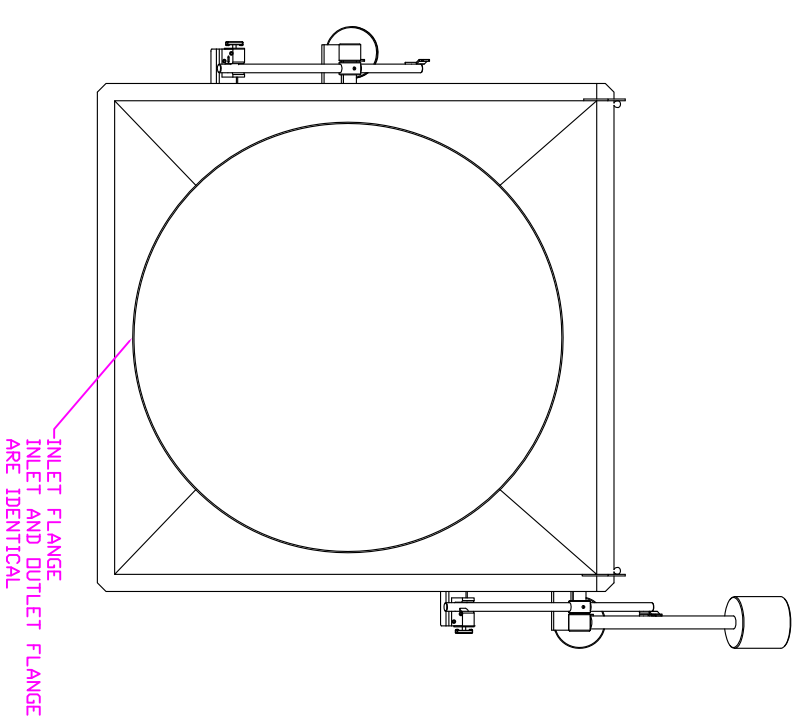
3

2

1

RATED FOR:
 Class ST 2 Applications
 Kst MAX: 299 bar m/s
 P_{red} : 0.25 bar

Installation distance of the containment system that is to be isolated from the process: **3 Meters**



APPROVAL DRAWING ONLY
NOT FOR PRODUCTION

APPROVED: _____ DATE: _____
 APPROVED AS NOTED: _____ DATE: _____

APPROVED AS NOTED: THIS IS A TIME-SENSITIVE DOCUMENT. ENGINEERING & PRODUCTION CAN NOT BE SCHEDULED UNTIL A SIGNED APPROVAL DRAWING IS RETURNED. DELAYS IN THE APPROVAL PROCESS MAY AFFECT THE QUOTED DELIVERY DATE. THIS DRAWING SUPERSEDES ANY PREVIOUS REVISIONS.

THIS DRAWING IS A CONFIDENTIAL DISCLOSURE AND IS LOANED TO RECALL AT ANY TIME WITH THE UNDERSTANDING THAT IT WILL NOT BE USED IN ANY WAY DETRIMENTAL TO THE INTERESTS OF IMPERIAL SYSTEMS.

MATERIAL SPEC: **Carbon Steel**

PAINT COLOR: **Safety Red**

FINISH: ALL SHARP EDGES TO BE ROUNDED TO A SMOOTH RADIUS. ALL SURFACES TO BE GRIND AND ALL OTHER SHARP PROJECTION TO BE GRIND SMOOTH.

UNLESS OTHERWISE SPECIFIED:
 1. NO BURRS OR SHARP EDGES
 2. MACHINED SURFACES 125 Ra, DRILLED HOLES 250 Ra

TOLERANCES UNLESS OTHERWISE INDICATED:
 0 ± .020 FRACTIONS: ± 1/8
 .000 ± .005 ANGULAR: ± 1°

SCALE: **1:1** DD NOT SCALE DRAWING

DRAWN BY: **SMN** DATE: **12/18/15** WEIGHT (lbs): **999**

300 IMPERIAL DRIVE
 JACKSON CENTER, PA 16133
 T: 724-662-2801
 F: 724-662-2803
 www.systemsinc.com



EIV-40
EXPLOSION ISOLATION VALVE,
Ø40" INLET X Ø40" OUTLET

SHEET 1 OF 1 DRW. NO. **EIV-40-APPR**

A

B

C

D

A

B

C

D

4

3

2

1

4

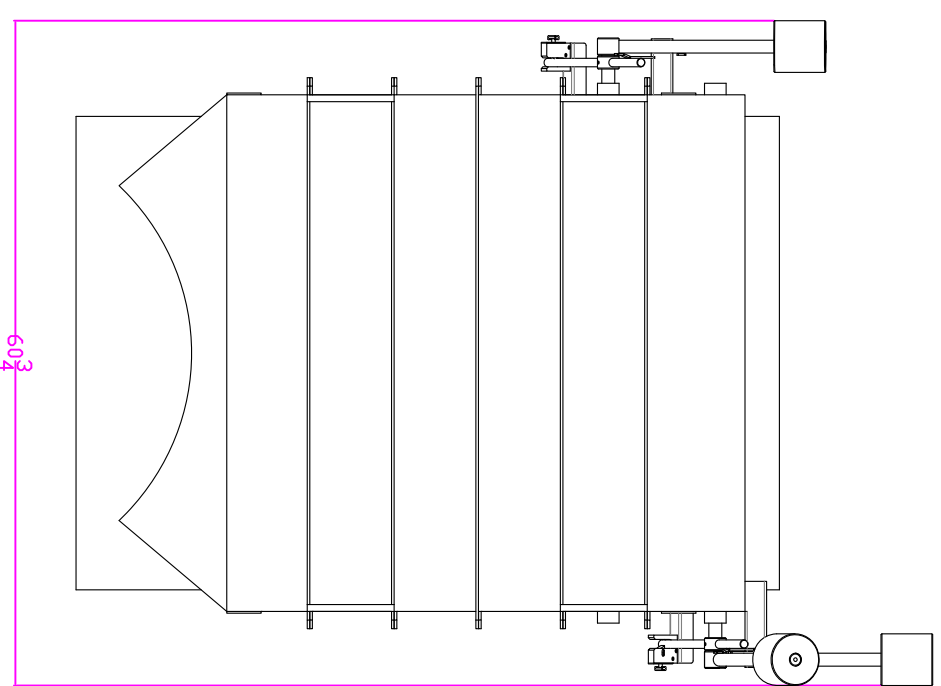
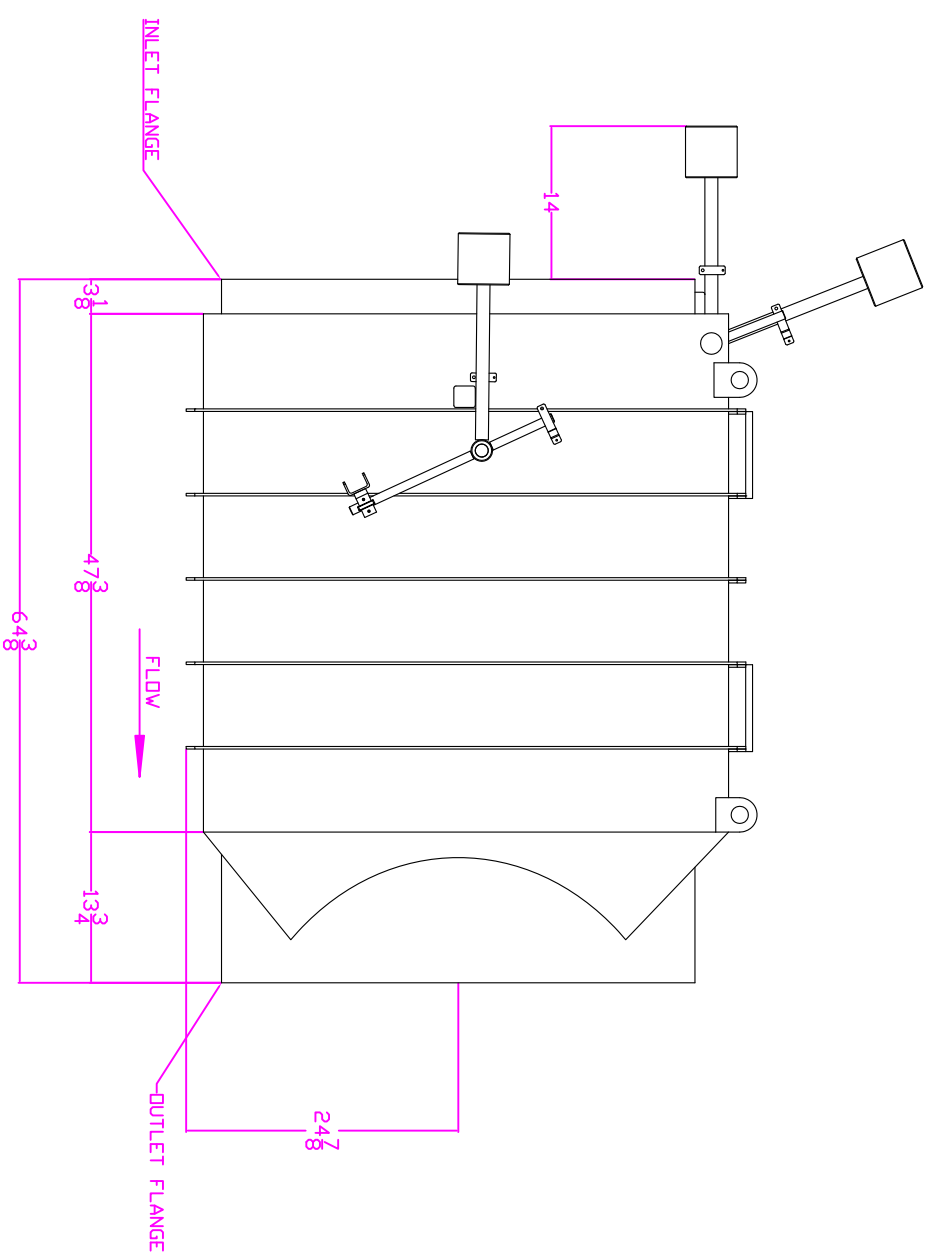
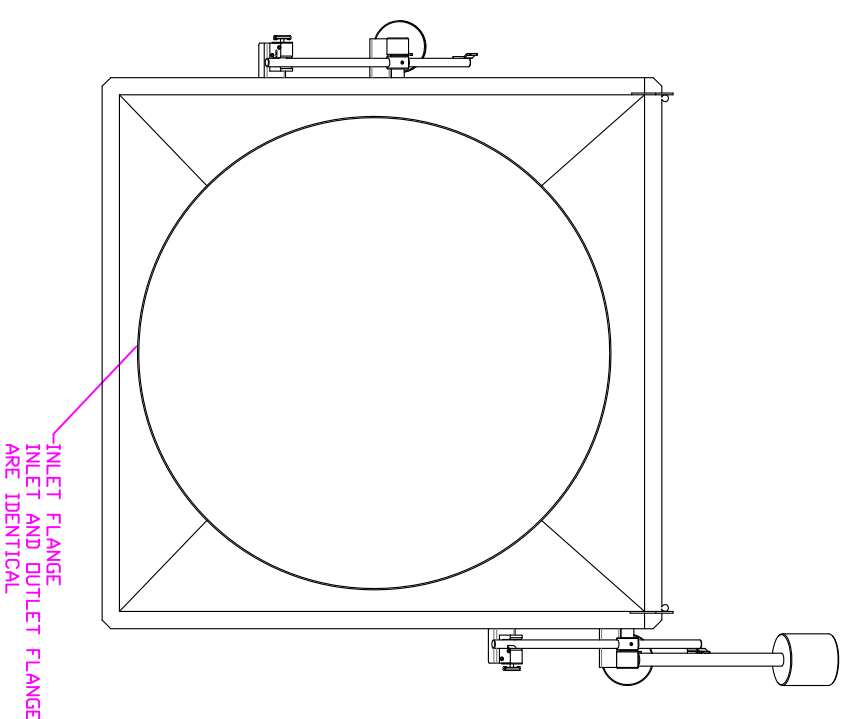
3

2

1

RATED FOR:
 Class ST 2 Applications
 Kst MAX: 299 bar m/s
 P_{red} : 0.25 bar

Installation distance of the containment system that is to be isolated from the process: **3 Meters**



APPROVAL DRAWING ONLY
NOT FOR PRODUCTION

APPROVED: _____ DATE: _____
 APPROVED AS NOTED: _____ DATE: _____

APPROVED AS NOTED:
 THIS IS A TIME-SENSITIVE DOCUMENT. ENGINEERING & PRODUCTION CAN NOT BE SCHEDULED UNTIL A SIGNED APPROVAL DRAWING IS RETURNED. DELAYS IN THE APPROVAL PROCESS MAY AFFECT THE QUOTED DELIVERY DATE. THIS DRAWING SUPERSEDES ANY PREVIOUS REVISIONS.

THIS DRAWING IS A CONFIDENTIAL DISCLOSURE AND IS LOANED TO RECALL AT ANY TIME WITH THE UNDERSTANDING THAT IT WILL NOT BE USED IN ANY WAY DETRIMENTAL TO THE INTERESTS OF IMPERIAL SYSTEMS.

MATERIAL SPEC: **Carbon Steel**

PAINT COLOR: **Safety Red**

FINISH: ALL SHARP EDGES TO BE ROUNDED TO A SMOOTH RADIUS. ALL SURFACES TO BE FINISHED TO A SMOOTH FINISH TO BE GRIND SMOOTH.

UNLESS OTHERWISE SPECIFIED:
 1. NO BURRS OR SHARP EDGES
 2. MACHINED SURFACES 125 Ra, DRILLED HOLES 250 Ra

TOLERANCES UNLESS OTHERWISE INDICATED:
 0 ± .020 FRACTIONS: ± 1/8
 .000 ± .005 ANGULAR: ± 1°

SCALE: **1:1** DD NOT SCALE DRAWING

DRAWN BY: **SMN** DATE: **12/18/15** WEIGHT (lbs):



300 IMPERIAL DRIVE
 JACKSON CENTER, PA 16133
 T: 724-662-2801
 F: 724-662-2803
 www.systemsinc.com

EIV-44
EXPLOSION ISOLATION VALVE,
Ø44" INLET X Ø44" OUTLET

SHEET 1 OF 1 DRW. NO. **EIV-44-APPR**

4

3

2

1

4

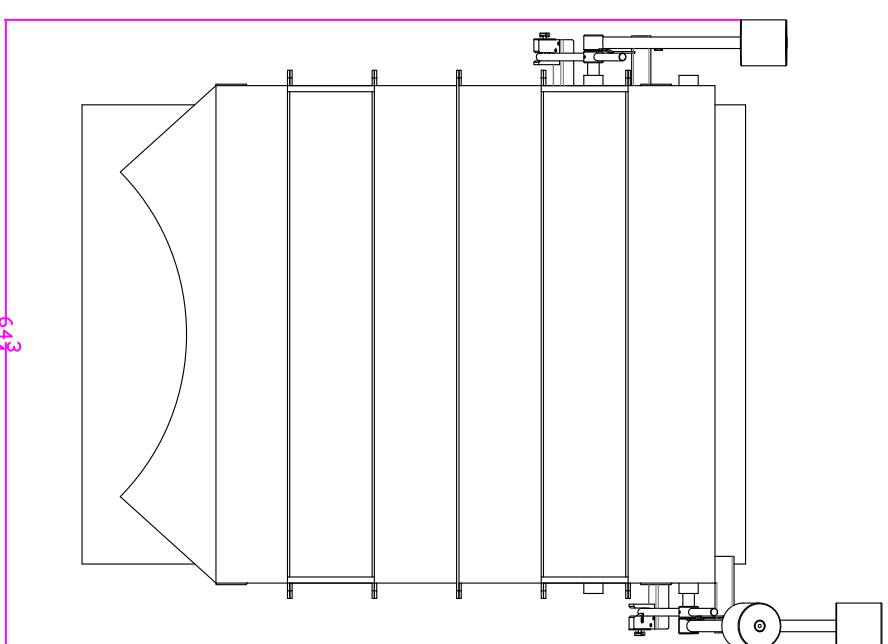
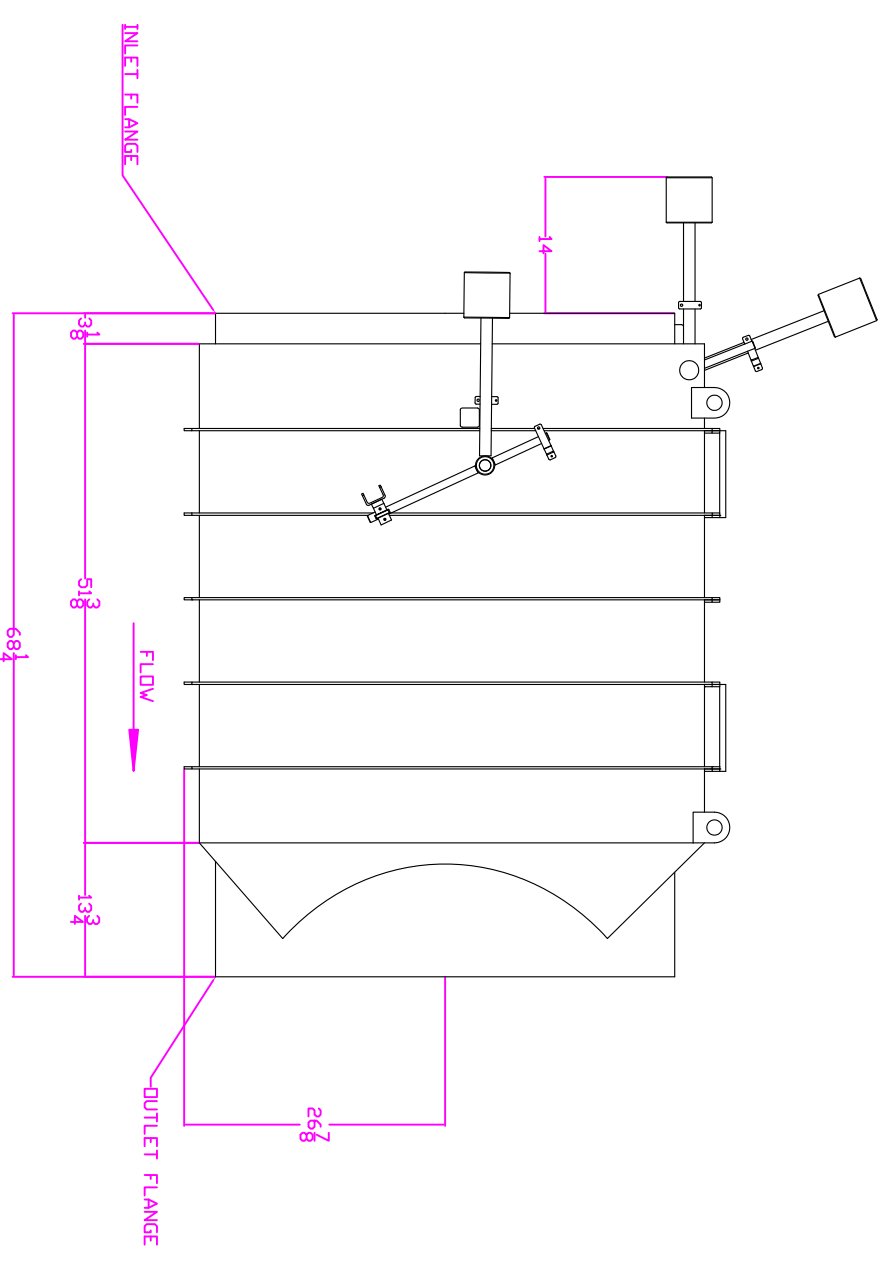
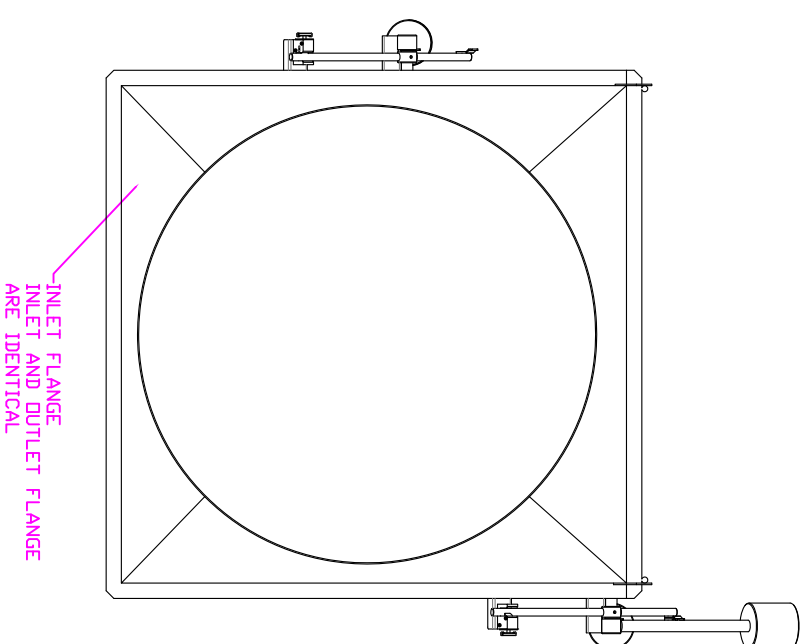
3

2

1

RATED FOR:
 Class ST 2 Applications
 Kst MAX: 299 bar m/s
 P_{red} : 0.25 bar

Installation distance of the containment system that is to be isolated from the process: **3 Meters**



**APPROVAL DRAWING ONLY
 NOT FOR PRODUCTION**

APPROVED: _____ DATE: _____
 APPROVED AS NOTED: _____ DATE: _____

THIS IS A TIME-SENSITIVE DOCUMENT. ENGINEERING & PRODUCTION CAN NOT BE SCHEDULED UNTIL A SIGNED APPROVAL DRAWING IS RETURNED. DELAYS IN THE APPROVAL PROCESS MAY AFFECT THE QUOTED DELIVERY DATE. THIS DRAWING SUPERSEDES ANY PREVIOUS REVISIONS.

THIS DRAWING IS A CONFIDENTIAL DISCLOSURE AND IS LOANED TO RECALL AT ANY TIME WITH THE UNDERSTANDING THAT IT WILL NOT BE USED IN ANY WAY DETRIMENTAL TO THE INTERESTS OF IMPERIAL SYSTEMS.

MATERIAL SPEC: **Carbon Steel**

PAINT COLOR: **Safety Red**

FINISH: ALL SHARP EDGES TO BE ROUNDED TO A SMOOTH RADIUS. ALL SURFACES TO BE GRIND AND ALL OTHER SHARP PROJECTION TO BE GRIND SMOOTH.

UNLESS OTHERWISE SPECIFIED:
 1. NO BURRS OR SHARP EDGES
 2. MACHINED SURFACES 125 Ra, DRILLED HOLES 250 Ra

TOLERANCES UNLESS OTHERWISE INDICATED:
 0 ± .020 FRACTIONS: ± 1/8
 .000 ± .005 ANGULAR: ± 1°

SCALE: **1:1** DD NOT SCALE DRAWING

DRAWN BY: **SMN** DATE: **12/18/15** WEIGHT (lbs):



300 IMPERIAL DRIVE
 JACKSON CENTER, PA 16133
 T: 724-662-2801
 F: 724-662-2803
 www.systemsweb.com

EIV-48
EXPLOSION ISOLATION VALVE,
Ø48" INLET X Ø48" OUTLET

SHEET 1 OF 1 DRW. NO. **EIV-48-APPR**

4

3

2

1

4

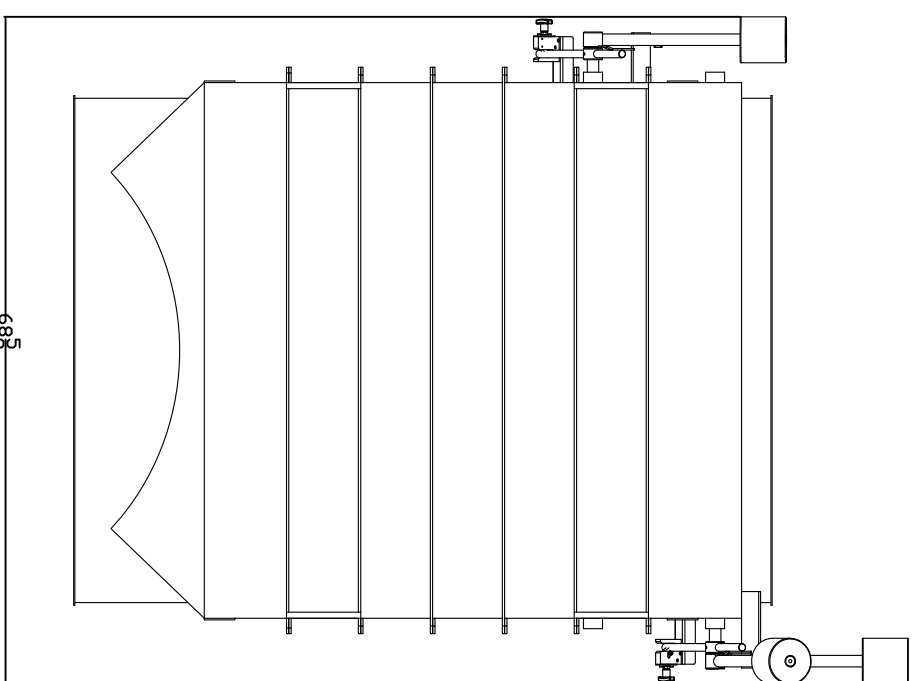
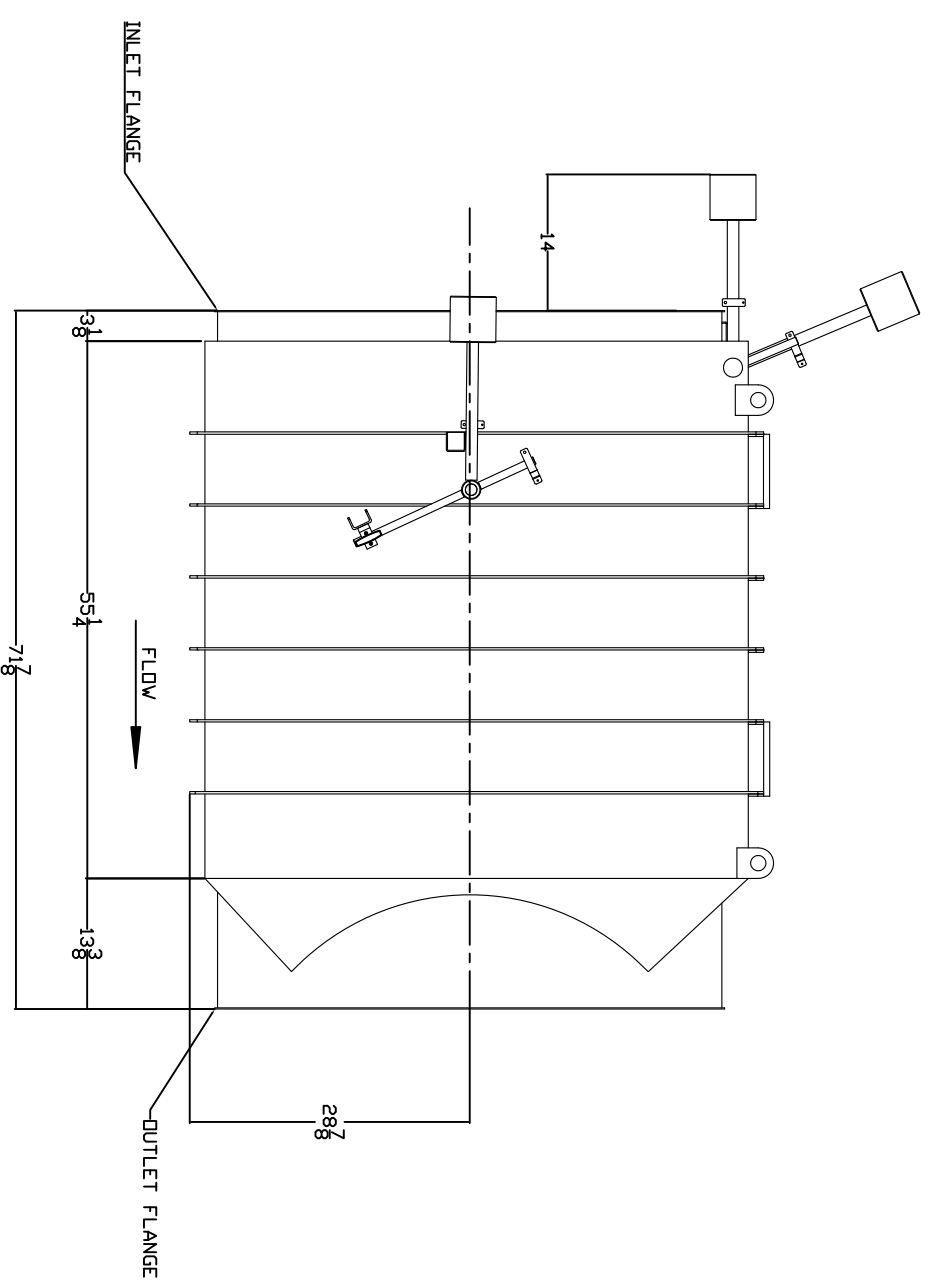
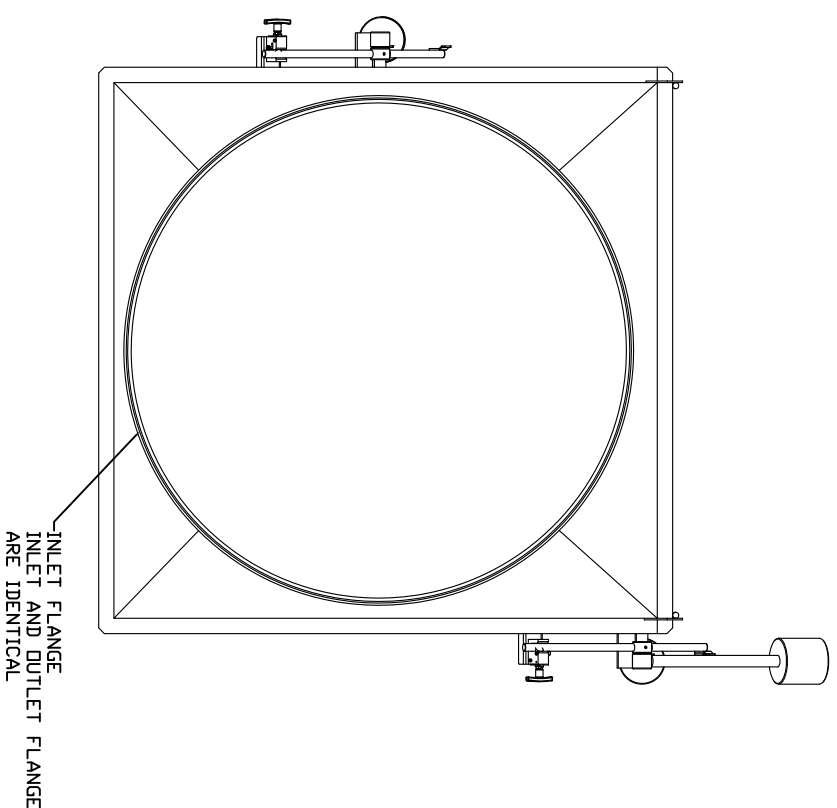
3

2

1

RATED FOR:
 Class ST 2 Applications
 Kst MAX: 299 bar m/s
 P_{red} : 0.25 bar

Installation distance of the containment system that is to be isolated from the process: **3 Meters**



**APPROVAL DRAWING ONLY
 NOT FOR PRODUCTION**

APPROVED: _____ DATE: _____
 APPROVED AS NOTED: _____ DATE: _____

THIS IS A TIME-SENSITIVE DOCUMENT. ENGINEERING & PRODUCTION CAN NOT BE SCHEDULED UNTIL A SIGNED APPROVAL DRAWING IS RETURNED. DELAYS IN THE APPROVAL PROCESS MAY AFFECT THE QUOTED DELIVERY DATE. THIS DRAWING SUPERSEDES ANY PREVIOUS REVISIONS.

THIS DRAWING IS A CONFIDENTIAL DISCLOSURE AND IS LOANED TO RECALL AT ANY TIME WITH THE UNDERSTANDING THAT IT WILL NOT BE USED IN ANY WAY DETRIMENTAL TO THE INTERESTS OF IMPERIAL SYSTEMS.

MATERIAL SPEC: **Carbon Steel**

PAINT COLOR: **Safety Red**

FINISH: ALL SHARP EDGES TO BE ROUNDED TO A SMOOTH RADIUS OF 0.0315 (1/8"). ALL SURFACES TO BE GRIND SMOOTH TO BE GRIND SMOOTH.

UNLESS OTHERWISE SPECIFIED:
 1. NO BURRS OR SHARP EDGES
 2. MACHINED SURFACES 125 Ra, DRILLED HOLES 250 Ra

TOLERANCES UNLESS OTHERWISE INDICATED:
 DIMENSIONS: ± 0.020 FRACTIONS: ± 1/8
 ANGULAR: ± 1°

SCALE: 1:1 DD NOT SCALE DRAWING

DRAWN BY: **SMN** DATE: **12/18/15** WEIGHT (lbs):

300 IMPERIAL DRIVE
 JACKSON CENTER, PA 16133
 T: 724-662-2801
 F: 724-662-2803
 www.systemsinc.com



**EIV-52
 EXPLOSION ISOLATION VALVE,
 Ø52" INLET X Ø52" OUTLET**

SHEET 1 OF 1 DRW. NO. **EIV-52-APPR**

A

B

C

D

A

B

C

D

4

3

2

1