



Made for your plasma and/or laser cutting table, the CMAXX Laser is a proud member of the CMAXX modular collector family.

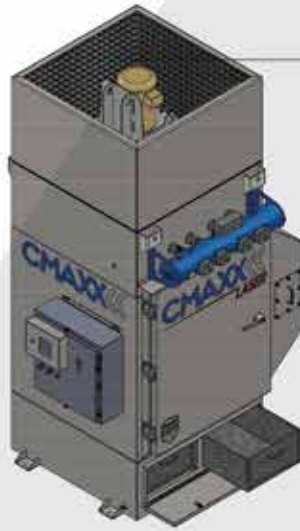


The CMAXX Laser comes completely wired from the factory. All you need to do is plug it in and push start! When it comes to its heavy duty modular construction and reliable performance, the laser model has true CMAXX qualities. This packaged collector comes standard with the Deltamaxx™ Nanofiber fire retardant pleated cartridges.

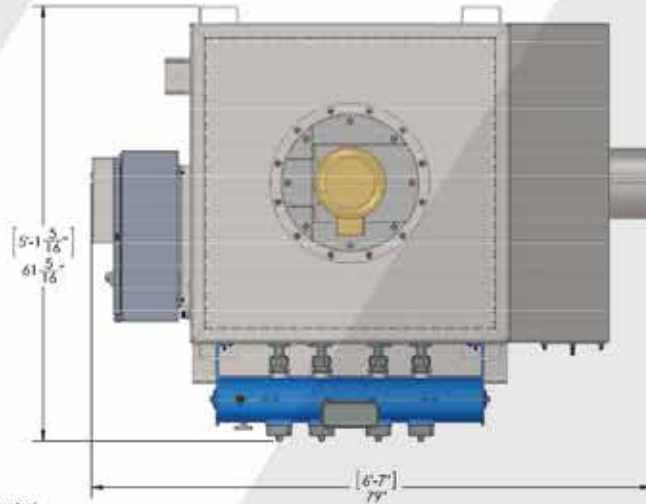
## FEATURES

- Factory pre-wired and ready to run. Just wire, add compressed air and push start.
- Tool-free Filter Access
- Tool-free Filter Change out
- Goyen premium reverse air cleaning systems. Requires 13 SCFM @ 70 PSI Modular design
- Virtually any collector configuration to custom fit into your location
- 3/16" Plate and 10ga. Carbon Steel Construction
- Deltamaxx™ fire retardant filters with 1400 sq. ft. of filter media
- 1 Pre-wired and pre-plumbed control panel complete with motor starter
- Built-in spark trap designed for laser table systems.
- Fan silencer rated for 75dba MAX
- Integrated HEPA after filter (optional)

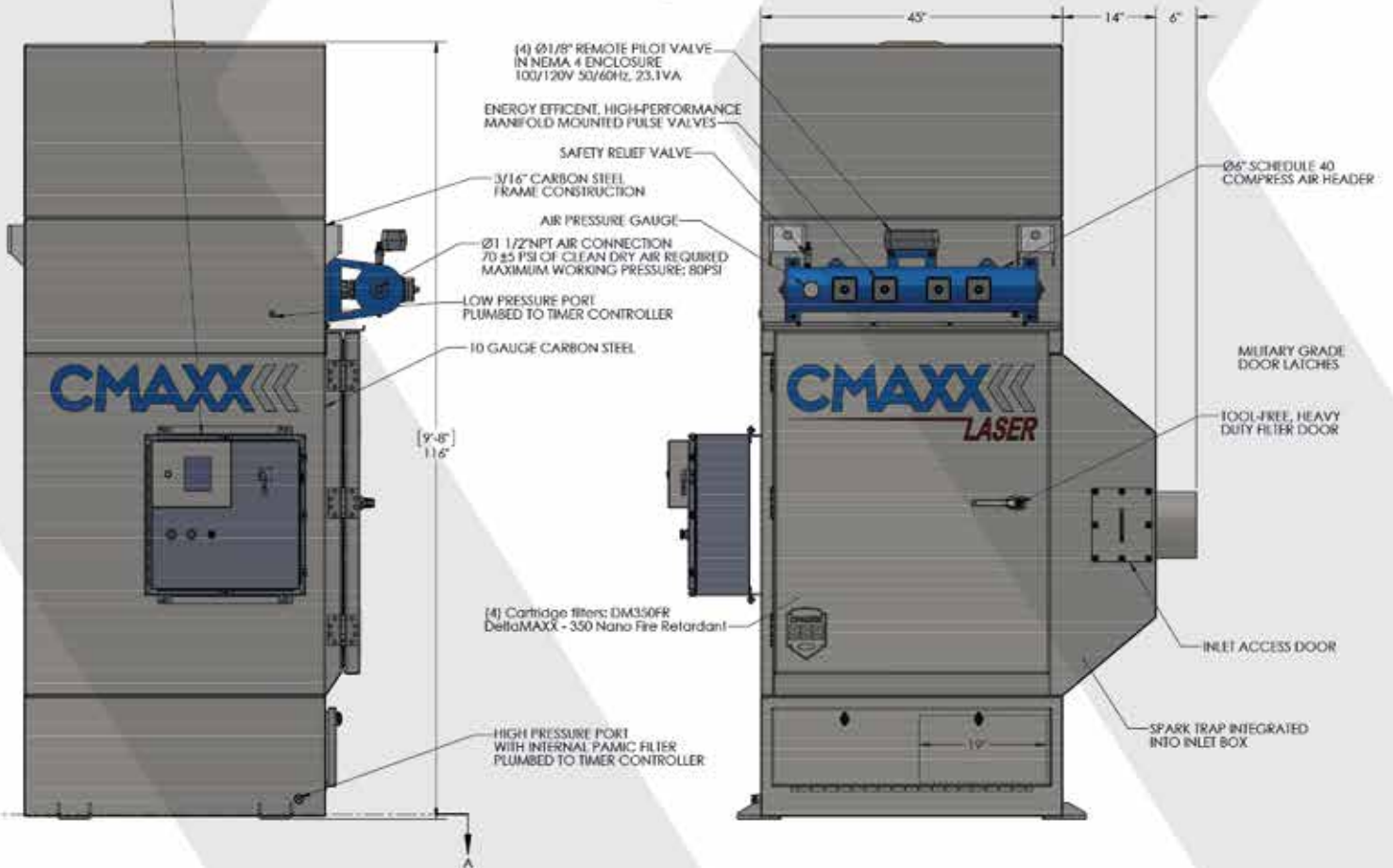
# CMAXX LASER



Acoustic Paneling for maximum fan silencing.



Includes 7.5HP IEC Starter, main breaker with handle, 110V control Transformer, illuminated emergency stop switch, integrated Dwyer dust collector timer controller with pressure module, prewired with on demand, continuous cleaning and down time cleaning cycle options. In a NEMA 4 enclosure with window kit, wired for 460 Volt, 3 Phase 60 HZ with U.L. Listings.



All products can be fabricated to meet specific needs.