

# HEAVY DUTY SLIDE GATES

**IMPERIAL**  
SYSTEMS, INC.

**Imperial Systems, Inc. Pneumatic Slide Gates are engineered to control air flow and conserve energy.**

These gates deliver a positive shut-off to service machinery or to divert air. The Pneumatic Slide Gate operates using a compressed air cylinder.

## **Advantages**

- **Engineered by the Dust Collection Experts**
- **Precise, Strong Welds**
- **Safety Guards reduce the risk of injury**
- **Remote Operation**
- **Machine integration capabilities**

## **Features**

- Increases air flow by automatically shutting off when machine is turned off
- Fully rebuildable
- Made for tough applications where material is a concern
- Can be used with variable frequency driver to maintain velocity and minimize horsepower consumption
- Single cylinder operation
- Flow control valves
- 110 v. solenoid switch
- Various connection options
- Available in 4" to 24" sizes

### **Heavy Duty Pneumatic Slide Gate**

- *Heavy duty construction*
- *10 ga. body with 16 ga. blade*

### **Extra-Heavy Duty Pneumatic Slide Gate**

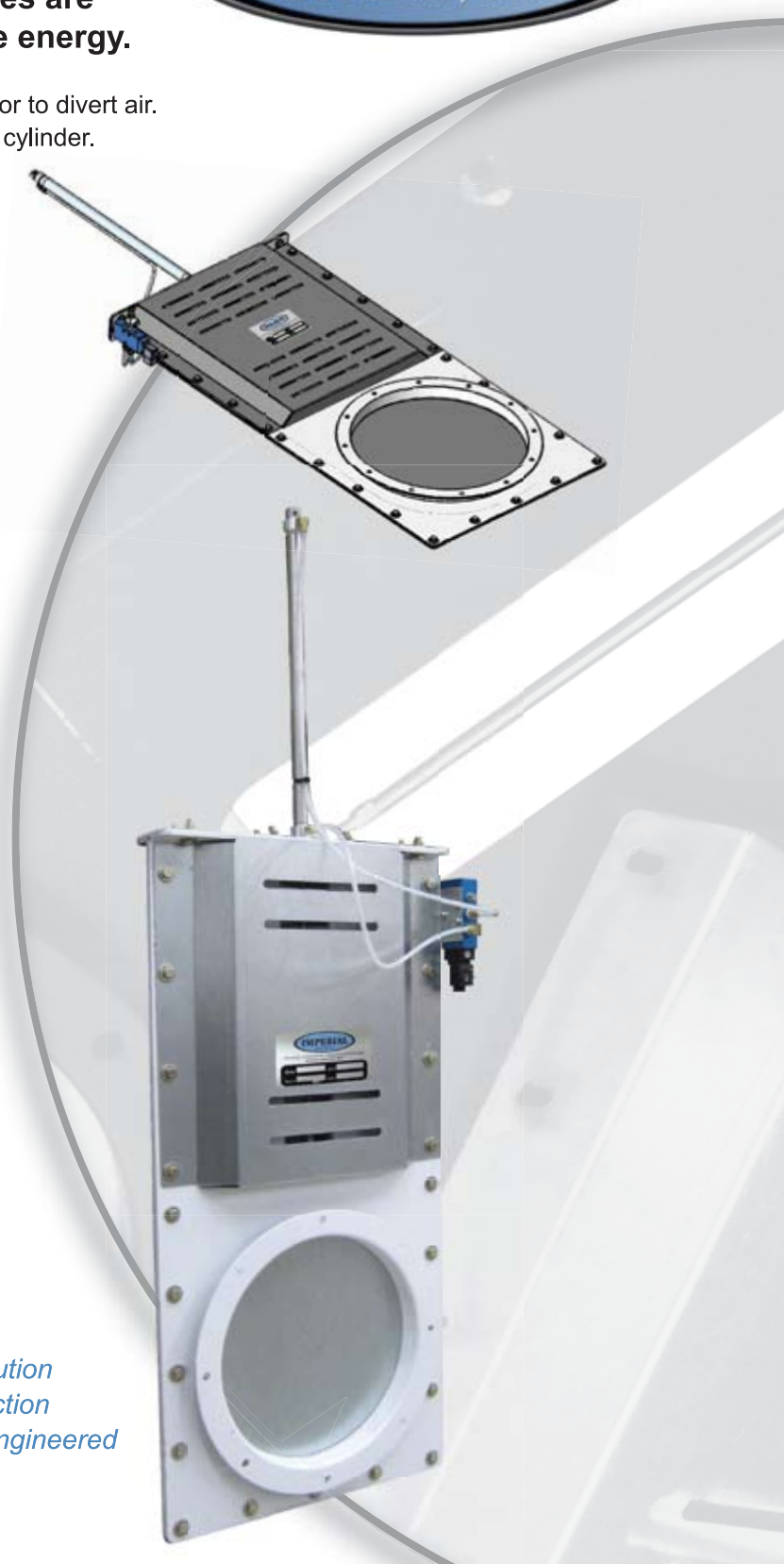
- *Heavy duty 3/16" plate construction*
- *Primed and painted industrial enamel*

## **Options**

- 24 volt solenoid
- Stainless steel
- Quick clamp connections
- Slip fit connections
- Flanged connections

*Imperial Systems, Inc. is your dust collection & air pollution control expert; from designing and installing dust collection systems to manufacturing industry leading products, engineered for outstanding quality, safety and value.*

**All products can be fabricated to meet specific needs.**

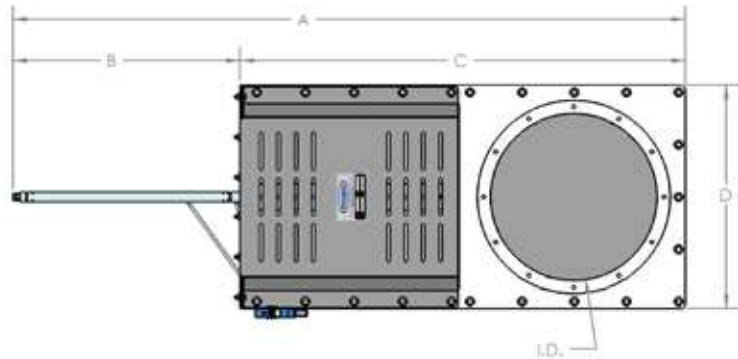
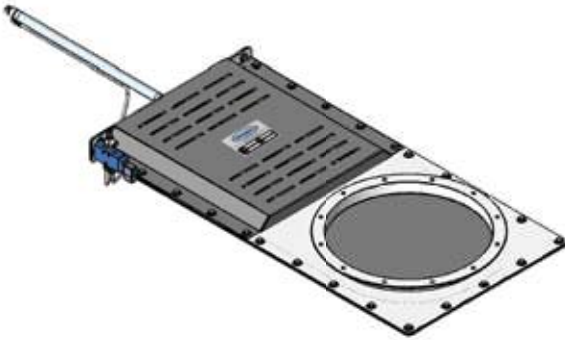


300 Imperial Drive Jackson Center, PA 16133  
Tel 800.918.3013 | Fax 724.662.2803  
info@isystemsweb.com

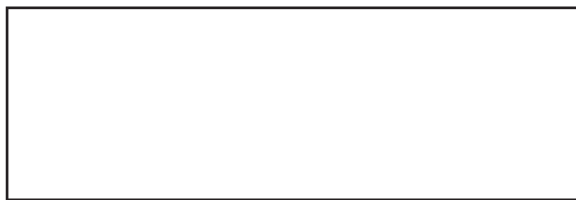
**www.isystemsweb.com**

Disclaimer: Imperial Systems, Inc. is not responsible for typographical errors that may appear.

# HEAVY DUTY SLIDE GATES



	ANGLE RING					Pneumatic Stroke	Cylinder Material	Body Bolt size	A	B	C	D	E	
	SIZE	I.D.	# HOLES	HOLE DIA.	B. C.									
SLIDEGATE04HDPNEU	4	4 1/16	6	9/32	5 5/16	3/4	6	16 Gauge	1/4	33 7/8	9 11/16	24 3/16	8 5/8	2 3/4
SLIDEGATE05HDPNEU	5	5 1/16	6	9/32	6 5/16	3/4	6	16 Gauge	1/4	33 7/8	9 11/16	24 3/16	8 5/8	2 3/4
SLIDEGATE06HDPNEU	6	6 1/8	6	3/8	7 5/16	3/4	9	16 Gauge	1/4	37 7/8	12 11/16	25 3/16	12 5/8	2 3/4
SLIDEGATE07HDPNEU	7	7 1/8	6	3/8	8 1/2	3/4	9	16 Gauge	1/4	37 7/8	12 11/16	25 3/16	12 5/8	2 3/4
SLIDEGATE08HDPNEU	8	8 1/8	6	3/8	9 9/16	3/4	9	16 Gauge	1/4	37 7/8	12 11/16	25 3/16	12 5/8	2 3/4
SLIDEGATE09HDPNEU	9	9 1/8	6	3/8	10 5/8	3/4	12	16 Gauge	1/4	46 7/8	15 11/16	31 3/16	15 5/8	2 3/4
SLIDEGATE10HDPNEU	10	10 1/8	6	3/8	11 13/16	3/4	12	16 Gauge	1/4	46 7/8	15 11/16	31 3/16	15 5/8	2 3/4
SLIDEGATE11HDPNEU	11	11 1/8	6	3/8	12 3/4	3/4	12	16 Gauge	1/4	46 7/8	15 11/16	31 3/16	15 5/8	2 3/4
SLIDEGATE12HDPNEU	12	12 3/16	8	7/16	14	3/4	14	16 Gauge	1/4	52 7/8	17 11/16	25 3/16	17 5/8	3 1/4
SLIDEGATE13HDPNEU	13	13 3/16	8	7/16	15	3/4	14	16 Gauge	1/4	52 7/8	17 11/16	25 3/16	17 5/8	3 1/4
SLIDEGATE14HDPNEU	14	14 3/16	8	7/16	16	3/4	16	16 Gauge	1/4	58 7/8	19 11/16	39 3/16	19 5/8	3 1/4
SLIDEGATE15HDPNEU	15	15 3/16	8	7/16	17	3/4	16	16 Gauge	1/4	58 7/8	19 11/16	39 3/16	19 5/8	3 1/4
SLIDEGATE16HDPNEU	16	16 3/16	8	7/16	18	11/16	19	12 Gauge	3/8	68 5/16	23 1/8	45 3/16	22 5/8	3 5/16
SLIDEGATE17HDPNEU	17	17 3/16	8	7/16	19	11/16	19	12 Gauge	3/8	68 5/16	23 1/8	45 3/16	22 5/8	3 5/16
SLIDEGATE18HDPNEU	18	18 3/16	8	7/16	20	11/16	19	12 Gauge	3/8	68 5/16	23 1/8	45 3/16	22 5/8	3 5/16
SLIDEGATE19HDPNEU	19	19 3/16	12	7/16	20 3/4	11/16	22	12 Gauge	3/8	77 5/16	26 1/8	51 3/16	25 5/8	3 5/16
SLIDEGATE20HDPNEU	20	20 3/16	12	7/16	21 3/4	11/16	22	12 Gauge	3/8	77 5/16	26 1/8	51 3/16	25 5/8	3 5/16
SLIDEGATE21HDPNEU	21	21 3/16	12	7/16	22 3/4	11/16	22	12 Gauge	3/8	77 5/16	26 1/8	51 3/16	25 5/8	3 5/16
SLIDEGATE22HDPNEU	22	22 3/16	12	7/16	23 3/4	11/16	25	12 Gauge	3/8	86 5/16	29 1/8	57 3/16	28 5/8	3 5/16
SLIDEGATE23HDPNEU	23	23 3/16	12	7/16	24 7/8	11/16	25	12 Gauge	3/8	86 5/16	29 1/8	57 3/16	28 5/8	3 5/16
SLIDEGATE24HDPNEU	24	24 3/16	12	7/16	25 7/8	11/16	25	12 Gauge	3/8	86 5/16	29 1/8	57 3/16	28 5/8	3 5/16



Drawings are for representation only.  
Refer to certified sales drawings for accurate representation.

Proud Product Representative



300 Imperial Drive Jackson Center, PA 16133  
Tel 800.918.3013 | Fax 724.662.2803  
info@isystemsweb.com

[www.isystemsweb.com](http://www.isystemsweb.com)

Disclaimer: Imperial Systems, Inc. is not responsible for typographical errors that may appear.