

TYPICAL RING DETAIL

Ø"F" - "G" HOLES
EQUALLY SPACED ON A "H"
DIA. BOLT PATTERN

MODEL	A	B	C	D	E	F	G	H
4"	20 7/8"	10 1/4"	19 1/4"	12 3/4"	4"	9/32"	6	5 5/16"
5"	20 7/8"	10 1/4"	19 1/4"	12 3/4"	5"	9/32"	6	6 5/16"
6"	20 7/8"	10 1/4"	19 1/4"	12 3/4"	6"	3/8"	6	7 5/16"
7"	29 5/8"	12 1/4"	23 1/4"	14 3/4"	7"	3/8"	6	8 1/2"
8"	29 5/8"	12 1/4"	23 1/4"	14 3/4"	8"	3/8"	6	9 9/16"
9"	37 5/8"	16 1/4"	30 3/4"	18 3/4"	9"	3/8"	6	10 5/8"
10"	37 5/8"	16 1/4"	30 3/4"	18 3/4"	10"	3/8"	6	11 13/16"
11"	37 5/8"	16 1/4"	30 3/4"	18 3/4"	11"	3/8"	6	12 3/4"
12"	37 5/8"	16 1/4"	30 3/4"	18 3/4"	12"	7/16"	8	14"
13"	45 5/8"	20 1/4"	38 1/4"	22 3/4"	13"	7/16"	8	15"
14"	45 5/8"	20 1/4"	38 1/4"	22 3/4"	14"	7/16"	8	16"
15"	45 5/8"	20 1/4"	38 1/4"	22 3/4"	15"	7/16"	8	17"
16"	45 5/8"	20 1/4"	38 1/4"	22 3/4"	16"	7/16"	8	18"
17"	53 5/8"	24 1/4"	45 3/4"	26 3/4"	17"	7/16"	8	19"
18"	53 5/8"	24 1/4"	45 3/4"	26 3/4"	18"	7/16"	8	20"
19"	53 5/8"	24 1/4"	45 3/4"	26 3/4"	19"	7/16"	12	20 3/4"
20"	53 5/8"	24 1/4"	45 3/4"	26 3/4"	20"	7/16"	12	21 3/4"
21"	61 5/8"	28 1/4"	53 1/4"	30 3/4"	21"	7/16"	12	22 3/4"
22"	61 5/8"	28 1/4"	53 1/4"	30 3/4"	22"	7/16"	12	23 3/4"
23"	61 5/8"	28 1/4"	53 1/4"	30 3/4"	23"	7/16"	12	24 7/8"
24"	61 5/8"	28 1/4"	53 1/4"	30 3/4"	24"	7/16"	12	25 7/8"

RIGHT HAND OPTION SHOWN
(LEFT HANDED AVAILABLE)

CLEAN-OUT
DOOR

AVAILABLE ACTUATION OPTIONS:
PNEUMATIC (SHOWN), MANUAL, 115VAC 60 Hz, 220VAC, 60 Hz,
12VDC AND 24VDC

NOTES:
CONSTRUCTION: 10 GA. H.R.S.

FINISH:
ALL SHARP EDGE BE ROUNDED TO A SMOOTH RADIUS.
ALL BURRS, WELD SPLATTER AND ALL OTHERS SHARP SURFACE
PROJECTION SHALL BE GROUND SMOOTH.



Imperial Systems, Inc.

300 Imperial Drive
Jackson Center, PA 16133

Phone 724-662-2801
Fax 724-662-2803
www.isystemsweb.com

TITLE: **HEAVY DUTY
DIVERTER VALVE**

For Preliminary use only
Refer to System Drawings for Details

OPTIONS: Construction: _____

Actuation: _____

Paint Color: _____

Voltage: _____

DRAWN BY: TEB

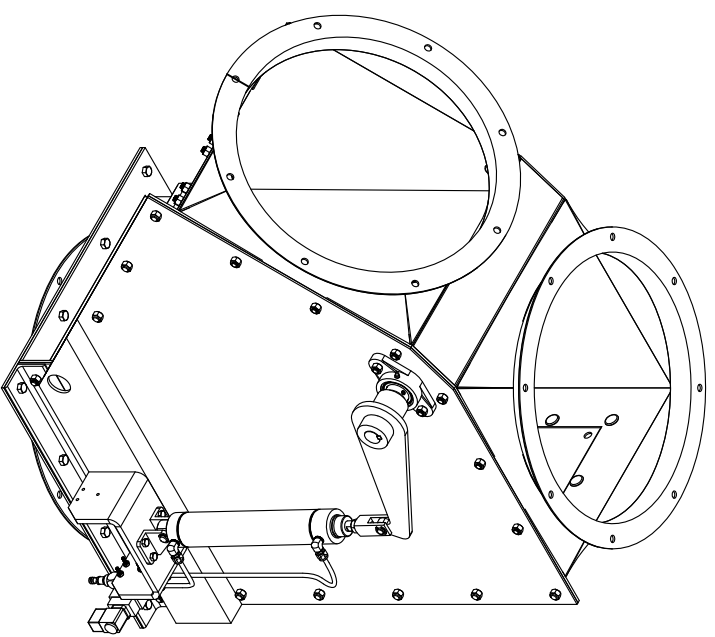
CHECKED BY: RR

DATE: 08/08/08

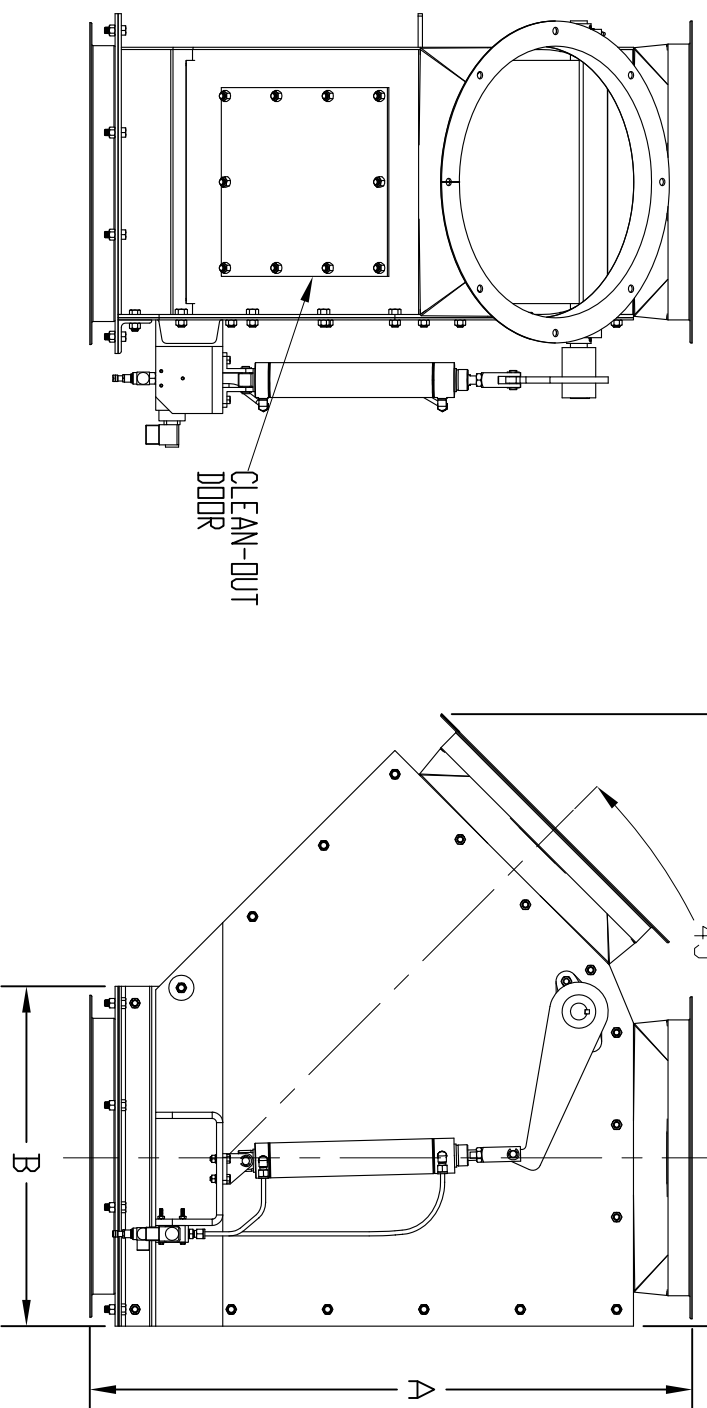
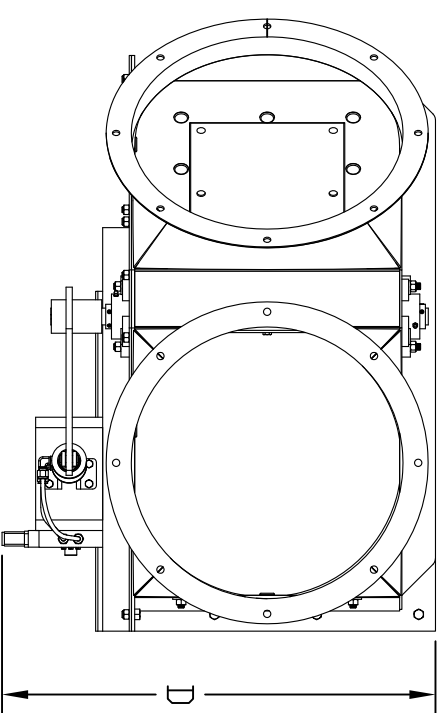
SCALE: N.T.S.

PRODUCT:

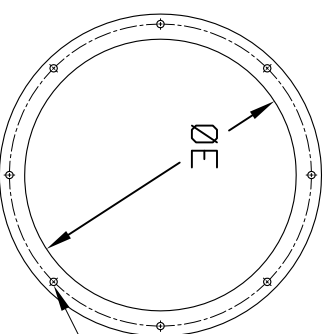
DIVERTER VALVE



LEFT HAND OPTION SHOWN
(RIGHT HAND AVAILABLE)



CLEAN-OUT
DOOR



TYPICAL RING DETAIL

ØF' - 'G' HOLES
EQUALLY SPACED ON A 'H'
DIA. BOLT PATTERN

MODEL	A	B	C	D	E	F	G	H
4"	20 7/8"	10 1/4"	18 3/4"	12 3/4"	4"	9/32"	6	5 5/16"
5"	20 7/8"	10 1/4"	18 3/4"	12 3/4"	5"	9/32"	6	6 5/16"
6"	20 7/8"	10 1/4"	18 3/4"	12 3/4"	6"	3/8"	6	7 5/16"
7"	23 3/4"	12 1/4"	22 3/16"	14 3/4"	7"	3/8"	6	8 1/2"
8"	23 3/4"	12 1/4"	22 3/16"	14 3/4"	8"	3/8"	6	9 9/16"
9"	29 7/8"	16 1/4"	29 3/8"	18 3/4"	9"	3/8"	6	10 5/8"
10"	29 7/8"	16 1/4"	29 3/8"	18 3/4"	10"	3/8"	6	11 13/16"
11"	29 7/8"	16 1/4"	29 3/8"	18 3/4"	11"	3/8"	6	12 3/4"
12"	29 7/8"	16 1/4"	29 3/8"	18 3/4"	12"	7/16"	8	14"
13"	35 7/8"	20 1/4"	36 1/2"	22 3/4"	13"	7/16"	8	15"
14"	35 7/8"	20 1/4"	36 1/2"	22 3/4"	14"	7/16"	8	16"
15"	35 7/8"	20 1/4"	36 1/2"	22 3/4"	15"	7/16"	8	17"
16"	35 7/8"	20 1/4"	36 1/2"	22 3/4"	16"	7/16"	8	18"
17"	41 3/4"	24 1/4"	43 5/16"	26 3/4"	17"	7/16"	8	19"
18"	41 3/4"	24 1/4"	43 5/16"	26 3/4"	18"	7/16"	8	20"
19"	41 3/4"	24 1/4"	43 5/16"	26 3/4"	19"	7/16"	12	20 3/4"
20"	41 3/4"	24 1/4"	43 5/16"	26 3/4"	20"	7/16"	12	21 3/4"
21"	47 3/16"	28 1/4"	50 1/8"	30 3/4"	21"	7/16"	12	22 3/4"
22"	47 3/16"	28 1/4"	50 1/8"	30 3/4"	22"	7/16"	12	23 3/4"
23"	47 3/16"	28 1/4"	50 1/8"	30 3/4"	23"	7/16"	12	24 7/8"
24"	47 3/16"	28 1/4"	50 1/8"	30 3/4"	24"	7/16"	12	25 7/8"

AVAILABLE ACTUATION OPTIONS:
PNEUMATIC (SHOWN), MANUAL, 115VAC 60 Hz, 220VAC, 60 Hz,
12VDC AND 24VDC

NOTES:
CONSTRUCTION: 10 GA. H.R.S.

FINISH:
ALL SHARP EDGE BE ROUNDED TO A SMOOTH RADIUS.
ALL BURRS, WELD SPLATTER AND ALL OTHERS SHARP SURFACE
PROJECTION SHALL BE GROUND SMOOTH.

TITLE: **HEAVY DUTY
45° DIVERTER VALVE**
For Preliminary use only
Refer to System Drawings for Details

OPTIONS:
Construction: _____
Actuation: _____
Paint Color: _____
Voltage: _____



Imperial Systems, Inc.
300 Imperial Drive
Jackson Center, PA 16133
Phone 724-662-2801
Fax 724-662-2803
www.itsystemsweb.com

DRAWN BY: TEB
CHECKED BY: RR
DATE: 06/08/09
SCALE: N.T.S.
PRODUCT: **45° DIVERTER VALVE**